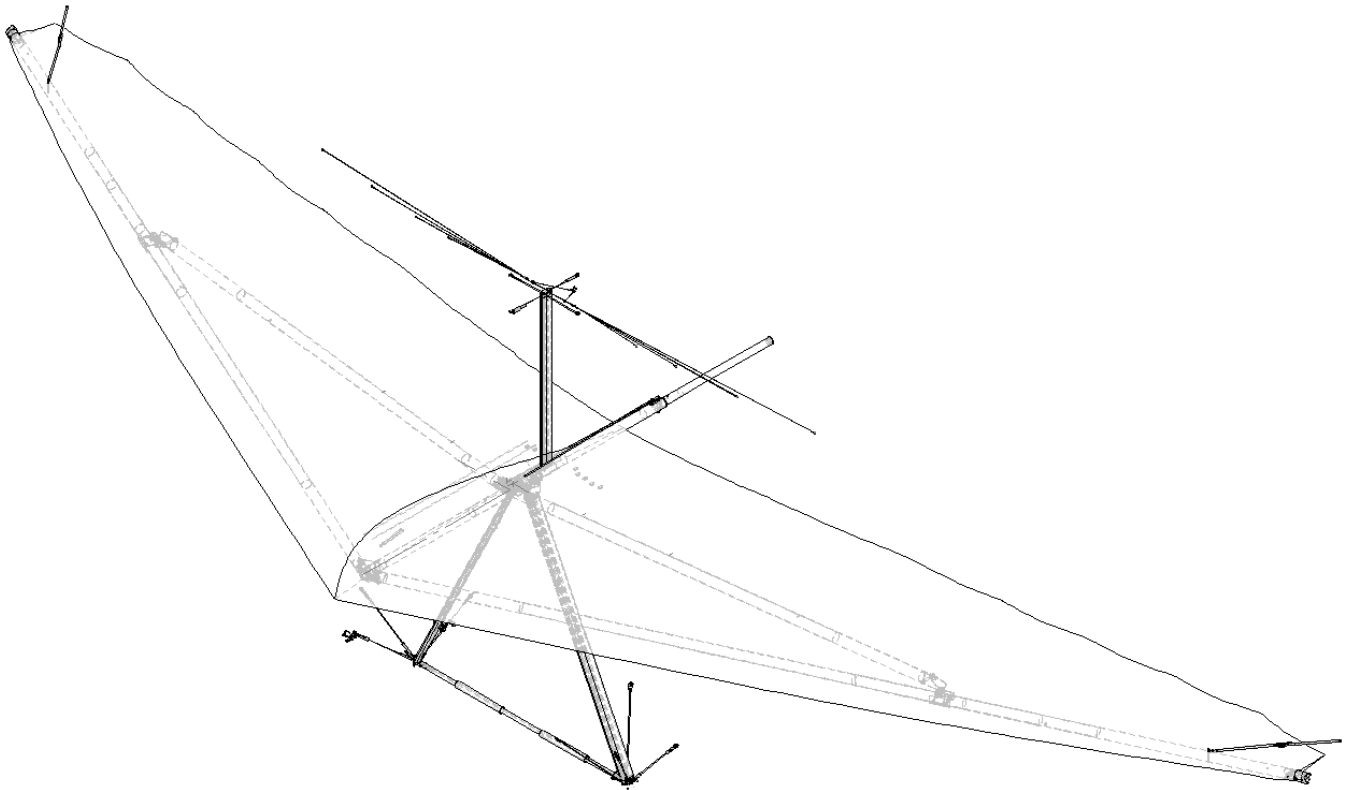


AirBorne

AUSTRALIA



WIZARD III MAINTENANCE MANUAL AND ILLUSTRATED PARTS CATALOGUE

Manufacturer:

AirBorne WindSports Pty Ltd
Unit 22/30 Kalaroo Rd
Redhead, NSW 2290
Australia

Phone :

+ 61 2 4944 9199

Fax :

+ 61 2 4944 9395

Website :

<http://www.airborne.com.au/>

© AirBorne WindSports Pty Ltd 2007

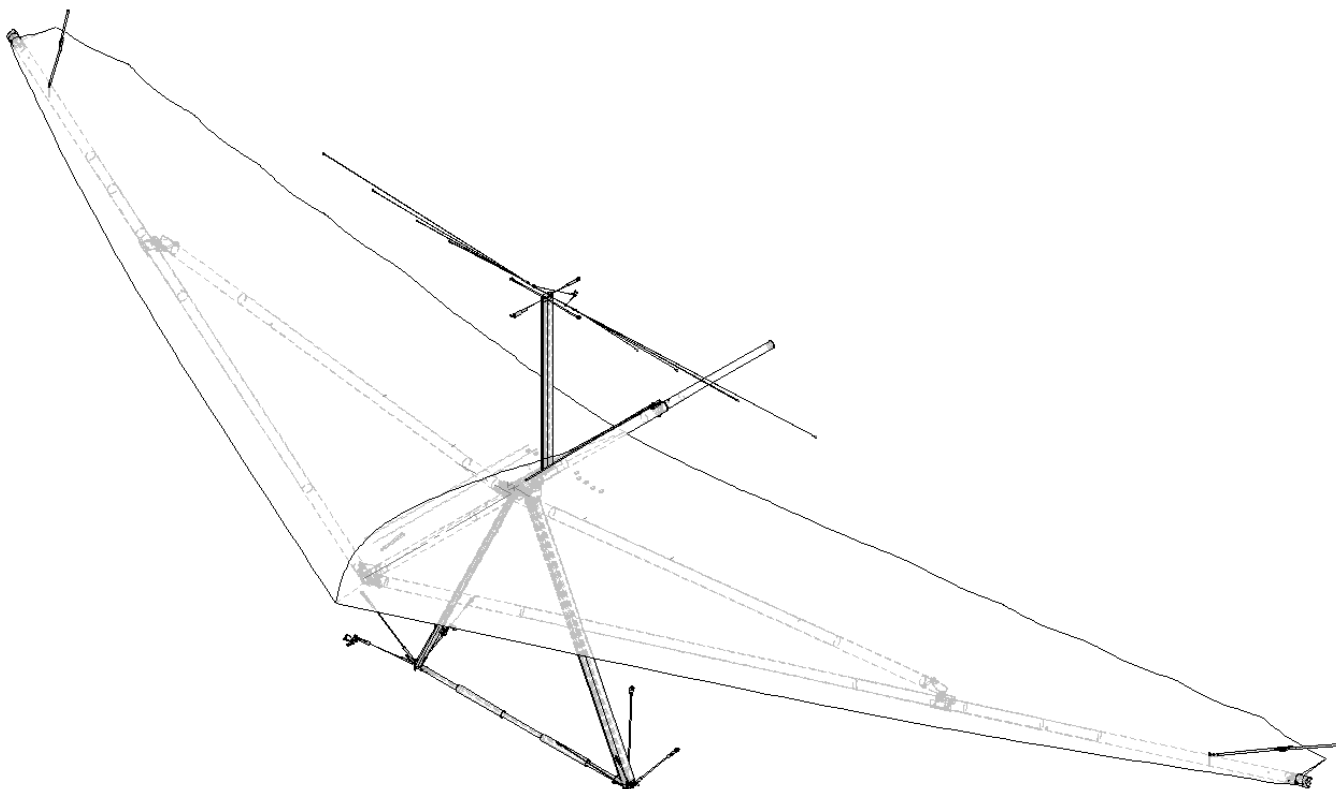
Part # 108608

© AirBorne WindSports Pty. Ltd.
Wizard III Maintenance Manual & Illustrated Parts Catalogue

This aircraft should only be flown with a certified wing and base combination.

AirBorne

AUSTRALIA



WIZARD III MAINTENANCE MANUAL

Manufacturer:

AirBorne WindSports Pty Ltd
Unit 22/30 Kalaroo Rd
Redhead, NSW 2290
Australia

Phone :

+ 61 2 4944 9199

Fax :

+ 61 2 4944 9395

Website :

<http://www.airborne.com.au/>

© AirBorne WindSports Pty Ltd 2007

Part # 108628

DATA PACKAGE

This manual constitutes one part of the complete data package that accompanies the aircraft. Following is a list of each of the components, which are required.

- **Pilot's Operator's Handbook**
- **Applicable Base Maintenance Manual**
- **Applicable Base Illustrated Parts Catalogue**
- **Wing Maintenance Manual**
- **Wing Illustrated Parts Catalogue**
- **Rotax Owners Manual**
- **Rotax Maintenance (Compact Disk)**
- **Radio Manual – If Installed**
- **BRS Parachute Manual – If Installed**

+

AMENDMENT RECORD SHEET

Amendment Date	Affected Sections	Affected Pages	Date Inserted	Signature

Table 1 Amendment Record Sheets

NOTE

Airborne's data packages will be revised from time to time. Owners registered on AirBorne's database will be notified of any changes to data and directed to the AirBorne web site (<http://www.airborne.com.au/>) for the applicable pages. The amended pages should be printed and the prior page replaced in the folder as soon as possible. The amendment table should at that time be updated with the appropriate details and date. Revised pages will be sent by mail if requested.

INTRODUCTION

This manual contains factory recommended procedures and instructions for ground handling, servicing and maintaining the Wizard wing section of this aircraft. The procedures described are to be used in conjunction with those required by the National Airworthiness Authority (NAA) of the country of registration. Any NAA maintenance requirement takes precedence over this manual.

This manual should be used in conjunction with a certified base, and therefore the operator is directed to reference the base maintenance manual for any issues that are related to the base component of the aircraft.

Skills

Only people with an adequate skill level should perform maintenance on this aircraft. A sound understanding of mechanical systems, and good experience with the necessary tools and procedures is required - as the continuing airworthiness of the aircraft relies on the competence of the person performing the maintenance. Assessment and judgement of the condition of each individual component is required, which necessitates a sound understanding of the purpose of each component in the system. All maintenance and repairs must be carried out in accordance with good aeronautical practices.

Skills and authorisations specific to Special Light Sport Aircraft

Maintenance tasks are rated in the categories listed below, according to the applicable category of registration and skill levels required to perform those tasks:

Owner— FAA regulations authorize SLSA aircraft owners who hold at least a sport pilot certificate to perform maintenance as outlined in 14 CFR Part 43. To perform inspections on aircraft condition, functional checks and maintenance in between inspections carried out by LSA Repairman Maintenance certificate holders.

LSA Repairman Maintenance— This certification authorizes a certificate holder to perform line maintenance, repairs and alterations to S-LSA as the task allows. Includes 100 hourly and yearly inspections on S-LSA.

A&P—Mechanic Certificate with Airframe and or Powerplant rating. To perform heavy Maintenance on airframes or powerplant as the rating allows.

Task Specific—Applicable to the following ratings:

LSA Repairman Maintenance with appropriate task specific training or;

A Mechanic Certificate with appropriate task specific training.

Authorizes the holder of mechanic certificate or a repairman certificate who has received task specific training, to perform the tasks approved under that training. Allows a repairman certificate holder to perform, heavy maintenance, repairs and alterations on the SLSA.

E.g. The Mechanic Certificate holder may obtain Task Specific training on Rotax engines, to allow overhaul etc.

Skills and authorisations specific to Experimental Special Light Sport Aircraft

LSA Repairman Inspection— To perform line maintenance and inspections to be completed on an E-LSA by a responsible owner, who holds an FAA repairman certificate (light sport aircraft), with an inspection rating or equivalent.

There are no requirements for minimum certification to perform any other task on an experimental aircraft. However, Airborne recommend that only people with an adequate skill level should perform maintenance on this aircraft as described at the start of this section.

Other Categories of Registration

This aircraft is certified as a Primary Category aircraft and when supplied with this manual and associated placards is a Light Sport eligible aircraft. This manual is created to be compliant to the standards applicable to Special Light Sport Aircraft.

The category of registration may be quite varied; as such the maintenance requirements of this aircraft are to be applied in conjunction with the requirements of the National Airworthiness Authority (NAA) of the country of registration. Any NAA maintenance requirement takes precedence over this manual.

In the event that the owner is permitted to perform maintenance in their country and category of registration, if there are any doubts regarding the required and appropriate maintenance then the safety of the aircraft may be jeopardised in continuing with self maintenance. In this situation an Airborne Dealer should be contacted for the correct procedures and or servicing.

Tooling

There are no specialised tools needed for the maintenance described in this manual, following is a list of the type of tools that may be required.

NOTE

Loctite will be required in certain locations and should **always** be replaced after disassembly.

- Loctite (243 and 262) for the frame
- Open ended Imperial Spanner set
- Open ended Metric Spanner set
- Torque wrench
- Dry Lubricant – lubricant that doesn't attract dust after application.
- Hex key set
- Bettsometer Instrument
- Various general care items, specified where needed

This list may not be comprehensive.

Format

The manual has been prepared using the ATA format, which provides a standard layout of the chapters to be included, and their content. Some of the chapters are not included as they are deemed to be not applicable to this aircraft.

The information in this manual is based on the data that was available at the time of its publication. The latest amendments to this manual will be issued on the Airborne website in PDF format. This should be printed out and added to the manual. Therefore it is important that operators keep a regular check on the website for any amendments that have been made. If any errors or omissions are found in this manual please advise the factory.

Service Difficulty Reporting

Any service difficulties or defects should be reported to Airborne using the form contained in appendix A.

WARNING

THE INFORMATION IN THIS MANUAL NEEDS TO BE FOLLOWED, AND IT IS NOT ACCEPTABLE TO MAKE CHANGES TO THE MATERIALS AND OR PHYSICAL FEATURES OF THIS AIRCRAFT. IN PARTICULAR THE GRADES OF BOLTS THAT HAVE BEEN UTILISED IN THE MANUFACTURE OF THIS AIRCRAFT ARE CRITICAL FOR ITS CONTINUING AIRWORTHINESS. NEVER REPLACE BOLTS WITH ANY OTHER SIZE OR GRADE. GRADE 8 BOLTS ARE NOT INTERCHANGEABLE WITH AIRCRAFT (AN) GRADE BOLTS. THE FATIGUE CHARACTERISTICS OF AIRCRAFT GRADE BOLTS ARE SUPERIOR TO OTHER BOLTS AND ALLOW LONGER SAFE SERVICE LIFE UNDER CYCLIC LOADS LIKE THOSE EXPERIENCED IN AIRCRAFT. THE LENGTH OF THE BOLT IS IMPORTANT. IF A SHORTER BOLT IS USED THE THREAD MAY ENCROACH ON THE LOAD BEARING AREA, WHICH INCREASES THE STRESSES EXPERIENCED BY IT.

MANDATORY SERVICE BULLETINS

AS THE SERVICE HISTORY OF THE AIRFRAME EVOLVES AIRBORNE WILL FROM TIME TO TIME ISSUE AIRBORNE DIRECTIVES, WHICH DETAIL ANY CHANGES TO THE MAINTENANCE MANUALS, PILOT'S OPERATING HANDBOOK, OR ANY OTHER DETAILS THAT AIRBORNE DEEMS NECESSARY FOR OWNERS TO BE NOTIFIED OF.

THE WEB ADDRESS FOR AIRBORNE DIRECTIVES IS:

[HTTP://WWW.AIRBORNE.COM.AU/](http://www.airborne.com.au/)

IT IS THE RESPONSIBILITY OF THE OPERATOR TO KEEP UP TO DATE WITH ANY ROTAX DIRECTIVES THROUGH THE ROTAX WEBSITE.

USE OF METRIC/ IMPERIAL UNITS

This Service Manual uses the metric unit system as the basic system of measurement. Where common usage or available instrumentation refer to the Imperial system, both units are quoted. The following conversion factors are presented as a ready reference to the conversion factors that have been used in this manual.

1 Pound (lb)	=	0.4536 Kilogram (kg)
1 Pound per sq in (psi)	=	6.895 Kilopascal (kPa)
1 Inch (in)	=	25.4 Millimetres (mm)
1 Foot (ft)	=	0.3048 Metre (m)
1 Statute mile	=	1.609 Kilometres (km)
1 Nautical mile (NM)	=	1.852 Kilometres (km)
1 Millibar (mb)	=	1 Hectopascal (hPa)
1 Millibar (mb)	=	0.1 Kilopascal (kPa)
1 Imperial gallon	=	4.546 Litres (l)
1 US gallon	=	3.785 Litres (l)
1 US quart	=	0.946 Litre (l)
1 Cubic foot (ft ³)	=	28.317 Litres (l)
1 Degree Fahrenheit (F)	=	(1.8 X C)+32
1 Inch Pound (in lb)	=	0.113 Newton Metres (Nm)
1 Foot Pound (ft lb)	=	1.356 Newton Metres (Nm)

Table 2 Imperial / Metric Conversions

CONTENTS

0. ASSEMBLY AFTER SHIPPING	10
4. AIRWORTHINESS LIMITATIONS	13
5. TIME LIMITS/MAINTENANCE CHECKS	14
6. DIMENSIONS AND AREAS	35
9. GROUND HANDLING	37
10. DERIGGING	38
11. REQUIRED PLACARDS	39
20. STANDARD PRACTICES - AIRFRAME	40
27. FLIGHT CONTROLS	43
57. WINGS	44
95. SPECIAL PURPOSE EQUIPMENT	52
APPENDIX A – Condition Inspection Checklist	53
APPENDIX B – Feedback Form	54

Figures

Figure 1 Insertion Of Rear Leading Edges	10
Figure 2 Locating Sail Webbing On Rear Leading Edges	11
Figure 3 Setting Tip Adjusters	11
Figure 4 De-Tensioning the Tip	22
Figure 5 Removing Rear Leading Edges	23
Figure 6 Unbolting Side Wires	23
Figure 7 Unbolting Crossbar Junction	24
Figure 8 Removing Quick Clip Nut	24
Figure 9 Removing Top Front To Back Wire	24
Figure 10 Unrolling Sail	25
Figure 11 Removing Nose Webbing	25
Figure 12 Unbolting Top Front Wire	25
Figure 13 Removing Airframe	26
Figure 14 Frame Preparation For Sail Reinstallation	27
Figure 15 Sliding Sail Onto Frame (Step 1.)	27
Figure 16 Sliding Sail Onto Frame (Step 2.)	28
Figure 17 Inserting Keel Into Sail	28
Figure 18 Position Keel Pocket Forward Of Rear Wires	28
Figure 19 Cross Bars Inserted Through Sail	29
Figure 20 Spread the Wings Apart	29
Figure 21 Attach Front Top Wires	29
Figure 22 Fit Side Wires	30
Figure 23 Reattach Cross Bar	30
Figure 24 Locate Tip Webbing	30
Figure 25 Fit King Post	31
Figure 26 Fit Reflex Bridle	31
Figure 27 Shows Crossbar Pull Back In Place	31
Figure 28 Tension Tip	32
Figure 29 Insert Dive Stick Into Leading Edge	32
Figure 30 Nose Webbing	33
Figure 31 Major Dimensions Of Airframe	35
Figure 32 Bettometer Instrument	47
Figure 33 Adjusting Tip Angle (Sail Not Fitted)	50
Figure 34 Adjusting Batten Tension	50
Figure 35 LHS Training Bar Attachment	52

Tables

Table 1 Amendment Record Sheets	3
Table 2 Imperial / Metric Conversions.....	7
Table 3 Airframe Limitations	13
Table 4 Maintenance Privileges.....	16
Table 5 Scheduled Maintenance	20
Table 6 Airborne Final QA Inspection Sheet	34
Table 7 Dimensions And Areas	36
Table 8 Torque Settings For The Wing	41
Table 9 Tuning Procedure	49
Table 10 Condition Inspection Checklist	53
Table 11 Feedback Form.....	54

0. ASSEMBLY AFTER SHIPPING

00.00.00 Wing Assembly After Shipping.

This procedure is to be followed if the wing arrives in a short packed configuration. An approved dealer is responsible for assembly from the short packed configuration. The short packed wing has had the rear leading edges removed to reduce the packed size for transport.

The correct reassembly of the wing is critical for safety and performance of the wing. If there are any doubts about the correct procedure for assembly after shipping contact AirBorne.

00.10.00 Reassembly Guide

Remove wing from box

Ensure that all staples are removed before pulling the wing from the box. Damage to the sail may result if caught on box staples.

Unzip bag

Remove padding from the nose of the wing. Remove all wing straps. Remove padding from control bar and rear leading edges.

Assemble the control frame

Assemble control frame and rotate the wing so that it is lying flat on the ground

Spread Leading Edges

Spread both leading edges approximately ½ metre. Remove the tip bags, which have been used as protection on the rear of the front leading edges.

Insert Rear Leading Edges

NOTE

Insert rear leading edges in the correct side (left and right hand sides are marked) with the slot positioned horizontally.



The rear leading edges are located with their slots and held in place by the sail loops.

Note that the dive stick must go through the sail.

Figure 1 Insertion Of Rear Leading Edges

CAUTION

VELCRO TABS AND SAIL CELLS NEED TO BE POSITIONED AFT OF THE LEADING EDGE. ONCE INSTALLED THE REAR LEADING EDGE SLOT SHOULD BE LOCATED ON THE CHANNEL HORIZONTAL BOLT. IT IS IMPOSSIBLE TO ROTATE THE LEADING EDGE IF CORRECTLY INSTALLED.

Tension Sail

Place one hand on the rear of the leading edge. Pull sail firmly until the loops are located on the end of the leading edge fitting. This holds both the sail and the rear leading edges in place. Ensure the webbing is centrally located with one on each side of the central divider. Repeat for the other leading edge.

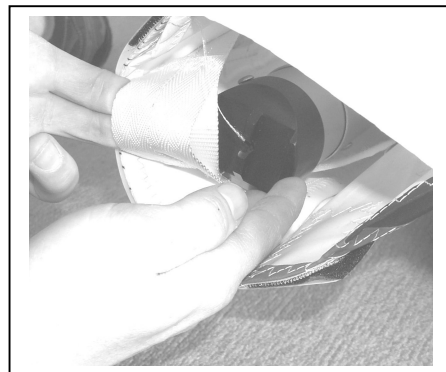
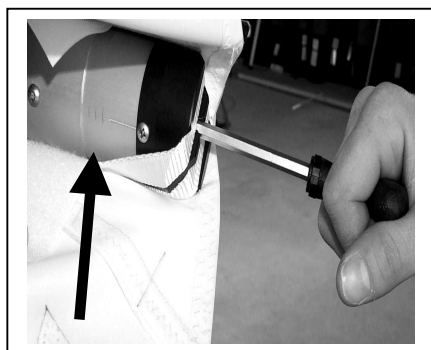


Figure 2 Locating Sail Webbing On Rear Leading Edges

Set Tip Adjusters



Tension the sail using a 6mm Allen key. The tip fitting should be adjusted until the leading edge is positioned on the:

3rd mark for Wizard Wing

The markings are on the internal tube and should be adjusted until the appropriate mark aligns with the main outer tube

Secure the hook and loop fastener tabs around the leading edge.

Figure 3 Setting Tip Adjusters

NOTE

If you find difficulty pulling the sail tension on the leading edge the adjustable tips can be wound in (clockwise). The sail nose tangs can be removed to allow the sail to move back. It is, however, extremely important to check that the sail at the nose does not foul on the frame when the wing is being tensioned. Ensure that the nose tangs are replaced and secured.

Tip Protectors

Install the tip wear protectors (secure the hook and loop fasteners to the mylar protectors onto the sail at the tip).

Assemble

Assemble in accordance with the Pilot's Operating Handbook.

Preflight

CAUTION

A THOROUGH AND COMPLETE PREFLIGHT IS ESPECIALLY NECESSARY AFTER REASSEMBLY. THOROUGHLY CHECK ALL NUTS AND BOLTS (REFER TO SECTION 5 FOR TORQUING PROCEDURES BEFORE TIGHTENING ANY NUTS), WIRE ROUTING, SAIL FIT, MYLAR SHAPE AND OVERALL SYMMETRY OF THE WING BEFORE FLIGHT.

Preflight as described in the aircraft flight manual paying particular attention to possible damage to the airframe during transport.

4. AIRWORTHINESS LIMITATIONS

4.00.00 *General*

This section sets forth each mandatory replacement time, structural inspection interval, and related structural inspection procedure required for type certification.

4.20.00 *Airframe Limitations*

Component	Life (hours)	Requirement
Heart Bolt (1 off)	100	Mandatory Replacement
Wires	961	Check For Service Life Announcements. Replace if there are no revisions.
Tubes	961	Check For Service Life Announcements. Replace if there are no revisions.
Sail	1000	Mandatory Replacement

Table 3 Airframe Limitations

The airframe was analysed using FAA fatigue analysis "Fatigue Evaluation Of Wing and Associated Structure on Small Airplanes FAA Report # AFS-120-73-2". In order to estimate the time life limits for the major components of the airframe, this is detailed in Airborne report 04-144ds. The estimates that have been made do not take into account any extreme loads, which will reduce the fatigue life of the airframe. The fatigue life of these components is dependent upon rigid adherence to maintenance schedules.

As the service history of the airframe evolves these time life estimates are expected to be revised. Amendments should be checked for regularly.

5. TIME LIMITS/MAINTENANCE CHECKS

5.00.00 General

The time limits and maintenance schedule provided are in addition to any regulation of the governing body where the aircraft is being flown. The pilot of the aircraft must ensure that the required maintenance is carried out and documented in the correct manner.

Airborne microlights have been designed to permit easy inspection, and operators should have no difficulty in assessing problems or recognising damage if visual checks are carried out correctly. Maintenance checks may require partial disassembly of the wing. Inspection should include a thorough visual check of the condition of the component and the attachment point in adequate lighting conditions. Cleaning of the component may be required for proper inspection. Significant scratches, cracks, galling, corrosion or any other mechanical wear of the component is reason for replacement. The sail requires special attention to the condition of the fabric, and Bettsometer tests will be required after significant amounts of environmental exposure to things such as UV radiation, chemicals and heat, as well as mechanical wear (and or tears). For instructions on Bettsometer testing see Section 57.30.10 Bettsometer Testing.

The Pilot's Operating Handbook outlines checks required prior to each flight.

Extreme operating conditions may reduce the time limits for components. Unscheduled maintenance is detailed in Section 5.50.00. AirBorne will from time to time amend these maintenance checks as the service history of the aircraft evolves. It is the responsibility of the pilot to ensure compliance with new directives (Information is available on the website <http://www.airborne.com.au/>).

5.00.10 Inspection Notes

Installation & Removal

When removing or installing tubing do not bend or force tubes.

Inspection

Inspect tubing for cracks, damage from abrasion, elongated holes or distortion in tube surface. Inspect holes in tubing and corners / radiused areas for cracks during scheduled inspections. Ensure that the areas are clean. A 10X magnifying glass and good lighting will improve this visual inspection for cracks.

WARNING
NEVER ATTEMPT TO REPAIR TUBING.
ALWAYS REPLACE WITH A GENUINE NEW PART.

Corrosion

Inspect tubing for corrosion inside and out. Discolouration of the metal may indicate corrosion. Salt is the most common cause of corrosion during coastal operation. Parts affected by salt must be stripped and thoroughly cleaned before reassembly. The cause of the corrosion must be identified and eliminated. If corrosion (pitting or oxidation) is present the component must be removed and replaced with a new part.

Exposed wires may be protected from corrosion by applying a water dispersant such as WD 40, RP7 or Inox using a rag wetted with the water dispersant. Such treatment is only required in corrosive environments. Preventative treatment may be applied as required.

Replacement

Aluminium tube comes in many different sizes and grades. As sections of the airframe are manufactured from tube made specifically to Airborne's specification it is important that only genuine replacement parts as supplied by Airborne WindSports Pty. Ltd are used.

Airframe Bolts

All airframe bolts are either aircraft quality or high tensile bolts. If it necessary to replace any bolts or nuts it is important that the specification of the original bolt are matched when a replacement is selected. This applies not only to the grade of the bolts but to the length as well.

Installation & Removal

- After tightening, all bolts should have at least 1 to 2 threads showing.
- All self-locking nuts should not be installed more than 2 times.
- Be sure not to over-torque bolts when installing.
- Check assembly instructions for correct bolt placement.

Inspection

Check bolts for worn shanks, bad threads or corrosion.

Wire Inspection

Inspection of wires should concentrate on any areas where the wires come into physical contact with other components. These areas may cause stress concentration and mechanical wear. Some areas may need to be partially disassembled to fully inspect wires. Kinks created during packing up, transport and storage should also be checked. Any degradation of wires requires replacement.

5.20.00 Scheduled Maintenance Checks

General care should include:

- Washing down the tube with warm water and a light detergent followed by rinsing with fresh water.
- Fabric sponged with warm water and a mild detergent and rinsed with fresh water.

Apart from the consequences of heavy landing, or of exceeding flight limitations, the major factors requiring attention are corrosion, fatigue, wear, UV exposure and heat.

There are no known fatigue problems with Airborne microlights, but excessive loads and vibration can weaken the structure. Regular inspection for hairline cracks in areas under high stress, such as bolt holes and tube junctions is recommended.

Many components can be replaced with ease, for difficult repairs or if the repair process is not fully understood consult your Airborne Dealer or the Airborne factory.

The registration of microlights is only valid provided that all necessary maintenance, modification and service requirements are fulfilled.

These requirements include:

- (a) Maintenance of aircraft as per the Maintenance Schedule in this manual.
- (b) Modification as detailed in any relevant Service Bulletins.
- (c) Modification to approved details, obtained from Airborne WindSports Pty. Ltd.
- (d) Repairs necessary to replace minor damage, wear or ageing.
- (e) Servicing, replacement and overhaul, inspection and checking in compliance with the Maintenance Schedule.
- (f) Any Airworthiness Directory (AD) issued by CASA or the NAA of the country of registration.

5.20.01 Maintenance Privileges

This manual lists task to be performed on the maintenance schedule. The minimum qualification required to perform that task is prescribed. A simple explanation of maintenance privileges permitted according to LSA category of registration is described in the table below:

	Experimental LSA				Special LSA			
	Sport Pilot	Owner Sport Pilot	LS - I Sport Pilot	LS - M / A&P / part 145 repair	Sport Pilot	Owner Sport Pilot	LS - I Sport Pilot	LS - M / A&P / part 145 repair
Modifications								
Daily Inspections								
Preventative Maintenance								
Repairs, Major Maintenance.								
100 hour inspection								
Annual Inspection								



Authorized to perform.



May perform only if the Repairman Inspector is the owner of the aircraft.



May perform only if the modification is included in the aircrafts Maintenance Manual or if the repairman is authorized to do so by the manufacturer.



May perform if the Repairman Inspector is the owner of the aircraft and not using the aircraft for compensation (training or towing), or

When using the Experimental aircraft for compensation (training or towing) until January 31 2010, the inspection must be performed by an LS - M / A&P or part 145 repair facility.



Not authorized to perform.

Table 4 Maintenance Privileges

Note that owners and pilots are permitted to perform preventative maintenance tasks as prescribed by FAR document: Part 43, Appendix A Sec. A43.1

Limitations Due to Registered Category

S-LSA

Maintenance on a Special LSA, 100 hourly and annual inspections are to be performed by the holder of a LSA Repairman Maintenance certificate or an appropriately rated A&P mechanic.

Note: owners and pilots are permitted to perform preventative maintenance tasks as prescribed by FAR document: Part 43, Appendix A Sec. A43.1

E-LSA

The owner of an aircraft registered as an Experimental LSA has operations limited to private use and has additional maintenance privileges.

During the transition period, commercial operations may be conducted until 31 January 2010. Where the experimental registered aircraft is used for compensation (training or towing) during the transition period the option c) below does not apply to 100 hourly inspections.

The 100 hourly or annual inspections on an E-LSA are to be performed by:

- a) the holder of a LSA Repairman Maintenance certificate, or
- b) an appropriately rated A&P mechanic, or
- c) the owner when the owner is the holder of a LSA Repairman Inspection certificate.

The pilot of the E-LSA aircraft is responsible to see that the maintenance and inspection has been performed on this aircraft as per the maintenance schedules prescribed in this maintenance manual. The maintenance schedule tasks remain applicable, where there is no minimum level of qualification required to perform maintenance on E-LSA, however a minimum skill level continues to apply to tasks. Only people with an adequate skill level should perform maintenance on this aircraft. A sound understanding of mechanical systems, and good experience with the necessary tools and procedures is required - as the continuing airworthiness of the aircraft relies on the competence of the person performing the maintenance. Assessment and judgement of the condition of each individual component is required, which necessitates a sound understanding of the purpose of each component in the system. If there are any doubts regarding the required and appropriate maintenance then the safety of the aircraft may be jeopardised in continuing with self maintenance. In this situation an Airborne Dealer should be contacted for the correct procedures and or servicing.

All maintenance and repairs must be carried out in accordance with good aeronautical practices.

5.20.02 Description of Task Classification

Preventative Maintenance

The preventative maintenance that is permissible to be performed by pilot certificate holders is defined in FAR document Part 43, Appendix A Sec. A43.1.

Line Maintenance

Includes inspections, servicing of fluids. Tasks where specific instructions are described in the manual that do not require specialized training, for replacement, repair of parts and structure or alterations described in the manual. Includes compliance with service directives that prescribe repairmen as the minimum qualification to perform the task.

Heavy Maintenance

Tasks that require a repairman rating with specialized training or Mechanic with A&P rating, such as major engine work, repair of landing gear assemblies. It also includes alterations to structure where instructions are provided in the manual, such as fitment of an undercarriage kit or a tow kit.

5.20.03 Qualification Descriptions

Certification Required to Perform Light Sport Aircraft Maintenance Tasks

- [O] **Owner**—Items that can be expected to be completed by a responsible owner who holds a pilot certificate but who has not received any specific authorized training.
- [R] **E-LSA Repairman Inspection** - Applicable to E-LSA registration. Repairman Inspection—Items that can be expected to be completed on an ELSA by a responsible owner, who holds an FAA repairman certificate (light sport aircraft), with an inspection rating or equivalent.
- [R] **S-LSA Repairman Maintenance**- Applicable to S-LSA registration. Repairman Maintenance—Items that can be expected to be completed on a S-LSA or E-LSA by a responsible individual, who holds a FAA repairman certificate (light sport aircraft), with a maintenance rating or equivalent.
- [A&P] **Mechanic Certificate with Airframe and or Powerplant Training** - A&P—Items that can be expected to be completed by a responsible individual who holds a mechanic certificate with airframe or powerplant ratings, or both, or equivalent.
- [RS] **Part 145 Repair Station** – Items that can be expected to be completed by a responsible organization that holds a part 145 repair Station approval.
- [TS] **Task Specific** – Items that can be expected to be completed by a responsible individual who holds either a mechanic certificate or a repairman certificate and has received task specific training to perform the task.

When specifying the “task specific” level of certification, the specific training is also specified where it is appropriate.

Note that **dealers may be authorized** by the manufacturer to perform a maintenance or modification task for which they are specifically trained. These tasks are not necessarily included in the Maintenance Manual.

This Maintenance manual is created with the focus to maintain Special Light Sport Aircraft (S-LSA). This category of registration allows the aircraft to be used for hire and reward. Maintenance requirements are given in the maintenance schedule tables. Note that the level of qualification is given for each of the tasks.

Notice that this manual prescribes owner maintenance and repairman maintenance. The minimum applicable repairman ratings for each category of registration are as follows:

E-LSA registered - LSA Repairman Inspection certificate (**LS-I**).

S-LSA registered - LSA Repairman Maintenance certificate (**LS-R**).

In both cases of E-LSA and S-LSA, a person who holds a mechanic certificate with A&P rating, or a part 145-repair station may perform maintenance and inspections on the LSA.

The 100 hourly or annual inspections on a S-LSA are to be performed by the holder of a LSA Repairman Maintenance certificate, an appropriately rated Mechanic with Airframe and Powerplant (A&P) rating, or a part 145 Repair Station.

The holder of a sport pilot certificate may perform preventive maintenance on an aircraft owned or operated by that pilot and issued a special airworthiness certificate in the light-sport category. Items of preventative maintenance that may be performed by an owner are listed in FAR 43 appendix A, Section A43.1 (c)

5.20.05 Maintenance Task Legend

Your microlight should be maintained in accordance with the following schedules. When registered under LSA, the following schedules are mandatory. The following codes are used in these schedules:

Code

- 1 Oil lubricate, clean and service.
- 2 Check as directed.
- 3 Check for insecurity, cracks, wear legibility and faulty operation.
- 4 Remove, inspect and replace if necessary.
- 5 Recommend replacement or overhaul.
- 6 Mandatory Replacement
- 7 Refer to Rotax maintenance manual and Rotax maintenance logbook.

Certification required to perform Light Sport Aircraft maintenance tasks

- [O] Owner
- [R] E-LSA Repairman Inspection (experimental registered aircraft only)
- [R] S-LSA Repairman Maintenance
- [A&P] Mechanic Certificate Airframe and or Powerplant
- [TS] Task Specific

5.20.06 Log Book

When maintenance is performed always fill out the appropriate check sheet supplied in Appendix A at the rear of this maintenance manual. The aircraft logbook should also be filled out when maintenance has been done.

When Service Bulletins have been complete both the maintenance manual and the log book should be filled out. A copy of the Service Bulletin form should be sent to the factory to be stored with the aircraft QA papers.

A separate maintenance manual is supplied with the trike base. The wing maintenance log should be filled out in the wing maintenance manual and aircraft log book.

5.20.10 Wing Airframe Maintenance Schedule

WING MAINTENANCE SCHEDULE Inspection Items	Manual Section	AIRCRAFT OR ITEM HOURS OF OPERATION									
	Reference	100	200	300	400	500	600	700	800	900	1000
Sail Bettometer testing	57.30.00		2[R]		2[R]		2[R]		2[R]		2[R]
Wing sail fabric & stitching	57.30.00	2[R]	2[R]	2[R]	2[R]	2[R]	2[R]	2[R]	2[R]	2[R]	2[R]
Wing sail attachment points	57.30.00	2[R]	2[R]	2[R]	2[R]	2[R]	2[R]	2[R]	2[R]	2[R]	2[R]
Tip assembly and webbing. Correct tension set	00.10.00	2[R]	2[R]	2[R]	2[R]	2[R]	2[R]	2[R]	2[R]	2[R]	2[R]
Inspection zips operational	As directed	2[R]	2[R]	2[R]	2[R]	2[R]	2[R]	2[R]	2[R]	2[R]	2[R]
Batten fitting latch secure	As directed	3[R]	3[R]	3[R]	3[R]	3[R]	3[R]	3[R]	3[R]	3[R]	3[R]
Check battens against template	57.40.00	2[R]	2[R]	2[R]	2[R]	2[R]	2[R]	2[R]	2[R]	2[R]	2[R]
Wires & attachment fittings	As directed	3[R]	3[R]	3[R]	3[R]	4[R]	3[R]	3[R]	3[R]	3[R]	6[R]
Reflex bridles for kinks corrosion	As directed	3[R]	3[R]	3[R]	3[R]	4[R]	3[R]	3[R]	3[R]	3[R]	6[R]
Leading edges, keel, cross bars and down tubes for straightness, dents and corrosion	As directed	2[R]	2[R]	2[R]	2[R]	4[R]	2[R]	2[R]	4[R]	2[R]	6[R]
Remove frame for sail, disassemble and check for fatigue cracks radiating from drilled holes	5.50.50					4[R]					6[R]
Loose bolts / nuts	20.10.00	2[R]	2[R]	2[R]	2[R]	2[R]	2[R]	2[R]	2[R]	2[R]	6[R]
Universal joint / keel roller free moving and in good order	As directed	2[R]	2[R]	2[R]	2[R]	4[R]	2[R]	2[R]	2[R]	2[R]	6[R]
Heart bolt (See time life 4.20.00)	As directed	6[R]	6[R]	6[R]	6[R]	6[R]	6[R]	6[R]	6[R]	6[R]	6[R]
Placards: Trimmer, Kingpost and Data plate	As directed	3[R]	3[R]	3[R]	3[R]	3[R]	3[R]	3[R]	3[R]	3[R]	3[R]

Table 5 Scheduled Maintenance

5.50.00 Unscheduled Maintenance Checks

Unscheduled maintenance is required due to abnormal flight loads such as severe turbulence or heavy landings. If any abnormal loads are encountered during transport or storage then the airframe needs to be checked.

The pilot will be responsible for identification of these extreme operating conditions and identification of the effected components. Where damage is found further checks should be carried out upon areas that may also be affected.

Thorough checks should also be carried out after transportation of the aircraft, and after extended storage periods.

5.50.10 Inspection after heavy landing.

The main attachment point for the wing to the aircraft base should be inspected carefully for any permanent deformation of the U-bracket the main bolt or the keel, as well as all of the other effected components. If the landing resulted in contact with the ground then obviously these parts will require extra attention. The tubing relies on being intact in perfect condition for full strength. If tubing is bent or kinked in any way then it should be replaced prior to flying. This includes its attachment point to bolts. The battens should be checked against the supplied batten profiles and the opportunity should also be taken to inspect the batten fittings.

5.50.20 Inspection after heavy turbulence.

The main areas of wing structure that require attention after severe turbulence are the attachment points for structures. These include the front and rear wires, the side wires and the main hang point. The sail should also be inspected for any strain or tearing that may have occurred – though this is very unlikely. All of the tubing should be inspected for bending, including the battens against the supplied batten profiles. The opportunity should be taken to inspect the batten fittings at the same time.

If the base bar has made contact with the mast brace at any time during flight then they should both be checked.

5.50.50 Sail removal

The sail should be removed for close inspection of the airframe if the frame is suspected of suffering any damage for example, having bent tubes following a heavy landing, blow over or crash. If the wing suddenly develops a turn after severe turbulence it is possible that some tubes may be bent, therefore close inspection of all the tubes is necessary. It is suggested that the sail should be removed from the frame every 500 hours to check for any signs of fatigue or damage from general wear and tear.

The main points to check are

- Cross bar hinge joint
- Cross bar /leading edge joint (deformation in the bushes)
- Leading edge nose joint (deformation in the bushes)
- Nose plates
- Straightness of the tubes
- Elongation of boltholes
- Damaged wires
- Damage to bolts
- Damage to sail

NOTE

If any part of the aircraft has any signs of damage the part should be replaced prior to re-installing the frame.

Special Requirements and Tips

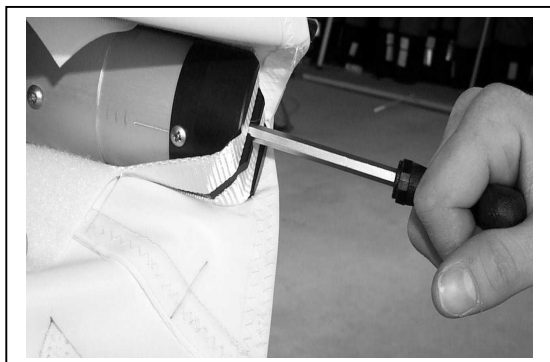
When installing or removing the sail you will need a large unobstructed area of approximately 12 metres by 3 metres. Make sure the surface is clean and not abrasive. Rough concrete will damage the sail, a grass area will not damage the wing, but will provide many hiding places for bolts, nuts and washers – short carpet is ideal.

It is a good practise to note the order of washers and other fittings prior to disassembly and to have a small container to put the hardware in. The Illustrated Parts Catalogue should be referenced for correct assembly.

NOTE

Wherever possible perform an operation on one side of the wing, and completely reassemble it before continuing with the other side. This method gives an easy reference to the reassembly sequence that is required for correct and safe operation.

De-Tension the Tip



- Undo hook and loop retaining straps at rear leading edge.
- Wind tip-tensioner inward (clockwise) to de-tension the tip webbing.
- Remove sail webbing from rear leading edge.

Figure 4 De-Tensioning the Tip

Remove Rear Leading Edges

- Spread leading edges approximately 1-½ metres apart.
- Remove rear leading edge from airframe.



Figure 5 Removing Rear Leading Edges

Unbolt Side Wires

- Unbolt top and bottom side wires from cross bar and feed wires back through sail.



Figure 6 Unbolting Side Wires

Unbolt CrossBar Junction

- Undo bolt, remove cross bar from leadind edge channel.
- Replace washers and nut onto the channel.



Figure 7 Unbolting Crossbar Junction

Remove Quick Clip Nut



- Remove quick clip bolt padding.
- Undo quick clip bolt and remove sail webbing, bottom rear wires and bolt from airframe (see Drawing 6485 in Illustrated Parts Catalogue).

Figure 8 Removing Quick Clip Nut

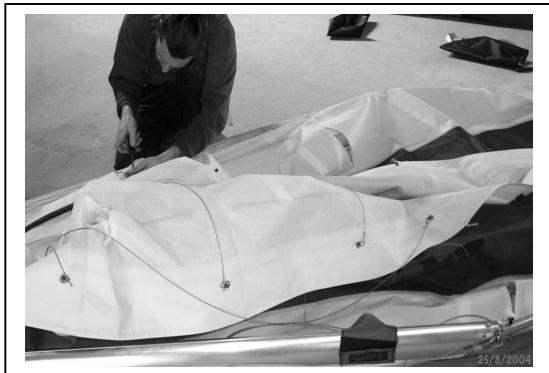
Remove Top Front to Back Wire

- Unbolt top front to back wire from pull back wire shackle.



Figure 9 Removing Top Front To Back Wire

Unroll Sail



- Unroll sail enough to access reflex bridles.
- Undo reflex bridle shackles from sail.

Figure 10 Unrolling Sail

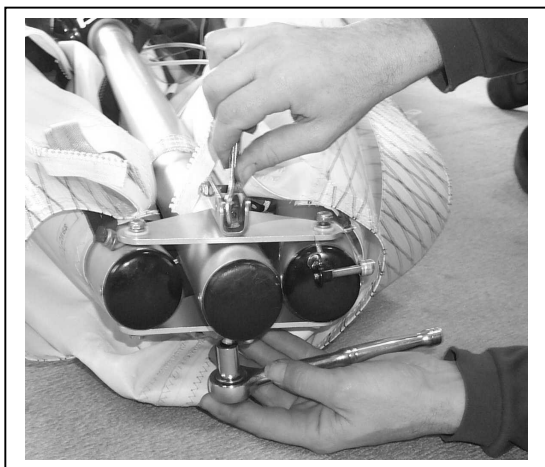
Remove Nose Webbing

-Undo sail webbing nut and remove sail webbing. Replace nut finger tight (see Drawing 6474 in Illustrated Parts Catalogue).



Figure 11 Removing Nose Webbing

Unbolt Top Front Wire



- Unbolt top front wire from nose junction and replace nut finger tight. Raise nose slightly and feed wire back through sail (king post will now be detached).
- Remove nose battens if inserted.

Figure 12 Unbolting Top Front Wire

Remove Airframe from Sail

-Leave control frame attached and carefully slide frame out through the nose of the sail.



Figure 13 Removing Airframe

CAUTION
DO NOT FORCE SAIL. IF IT SNAGS, STOP AND FIND WHAT IT'S CAUGHT ON.

5.50.60 Frame Reinsertion

After the frame has been removed for inspection the frame must be properly reinstalled to maintain a high level of safety. Particular attention must be paid to the correct orientation of bolts and washers. It is advisable that all nuts that are removed are replaced with new ones, or as a rule Nyloc nuts should not be reinstalled more than twice.

WARNING

REFER TO SECTION 20 (STANDARD PRACTICES) FOR CORRECT TORQUING PROCEDURES, FAILURE TO READ AND UNDERSTAND THE SPECIFIC TORQUING METHODS THAT ARE NECESSARY FOR THIS THIN WALLED TUBULAR STRUCTURE WILL RENDER THE AIRFRAME UNSAFE TO FLY.

Prepare Frame for Sail Reinstallation



- Insert quick clip bolt, attach rear-flying wires and tighten nut finger tight, it needs to be removed again to allow the keel pocket past.
- Insert rear leading edges into **correct right and left hand side** and stand airframe onto its A-frame.
- Tip strut locators should be on top of the rear leading edges when inserted.
- Lay sail out at the tips inline with the airframe.

Figure 14 Frame Preparation For Sail Reinstallation

Reinstall Sail Step 1.

-Slide sail 1 metre up the airframe making sure one leading edge goes in either side of the sail



Figure 15 Sliding Sail Onto Frame (Step 1.)

Reinstall Sail Step 2.



- Hold the leading edge up approximately 1/2 metre off the ground while you slide the sail up.
- Slide sail up half a side at a time.
- Pull sail on slowly as damage can result if sail is caught on internal ribs.

Figure 16 Sliding Sail Onto Frame (Step 2.)

Insert Keel into Sail

- When sail is approximately halfway up, insert the keel into the keel pocket.
- Slide sail up until the keel pocket hits the quick clip bolt.



Figure 17 Inserting Keel Into Sail

Position Keel Pocket forward of Rear Wires



- Have someone hold the nose of the wing up so the bottom rear flying wires are loose.
- Remove quick clip nut and bottom rear flying wires.
- Slide keel pocket up until the sail tang aligns with the quick clip bolt hole.
- Re-insert quick clip bolt and attach washer, sail tang and rear flying wires, tighten nut (see drawing 6485 in Illustrated Parts Catalogue).
- Let the nose down.
- Slide the rest of the sail up to the nose.
- Insert dive sticks through their holes.

Figure 18 Position Keel Pocket Forward Of Rear Wires

Guide Cross Bars Through the undersurface

- Once the sail is $\frac{3}{4}$ onto the frame insert the cross bars into the neoprene holes.



Figure 19 Cross Bars Inserted Through Sail.

Spread Wings



- Spread each wing apart $\frac{1}{4}$ of the way alternately on each side until fully open, making sure sail is loose and free at all times.

Figure 20 Spread the Wings Apart

Attach Front Top Wires

- Lay king post assembly out at the back of the wing.
- Feed top front wire back through the nose cone then back through the sail.
- Attach tang to nose bolt, see illustrated parts catalogue.

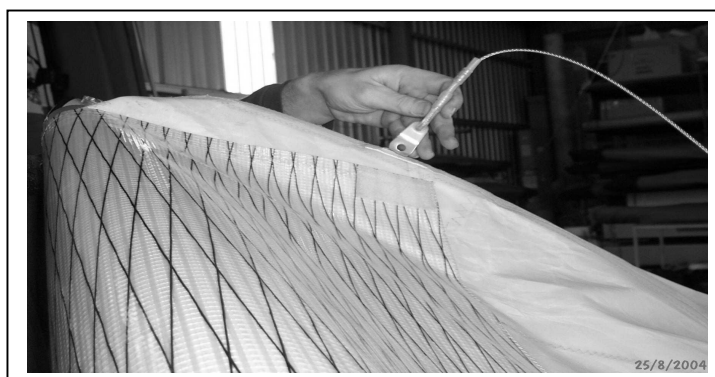
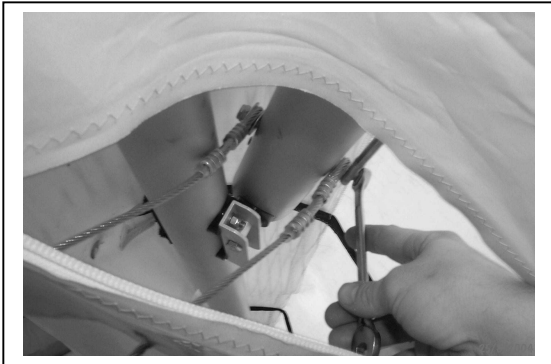


Figure 21 Attach Front Top Wires.

Fit Side Wires



- Feed bottom and top side wires back through sail slots.
- Bolt side wires to cross bar.

Figure 22 Fit Side Wires

CAUTION

MAKE SURE BOTTOM SIDE WIRES ARE IN THE CORRECT FWD AND AFT SLOTS.

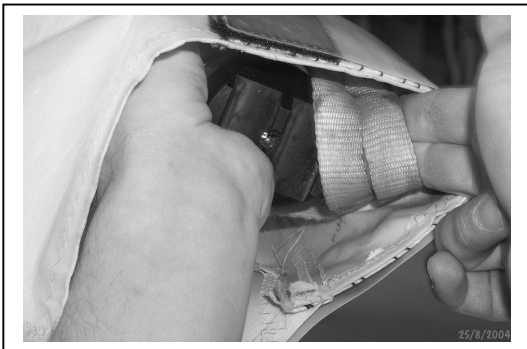
Reattach Cross Bars

- Reattach crossbar ensuring washers are on correctly.



Figure 23 Reattach Cross Bar

Locate Tip Webbing



- Locate tip webbing over rear leading edge and secure retaining Velcro.

Figure 24 Locate Tip Webbing

Fit King Post

- Feed pull back wires back through king post hole
- Insert king post into locating hole. Although there may be two holes visible there is one hole available that is large enough for the king post locating bush. When installed the machined fitting should be flush with the keel.
- Bolt top front to back wire to the pull back shackle.

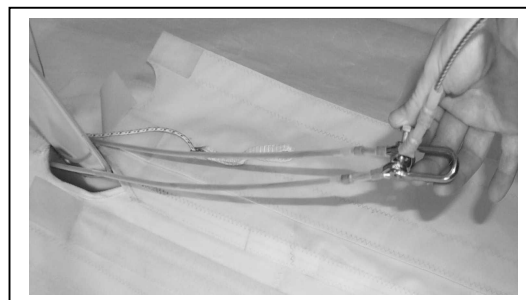
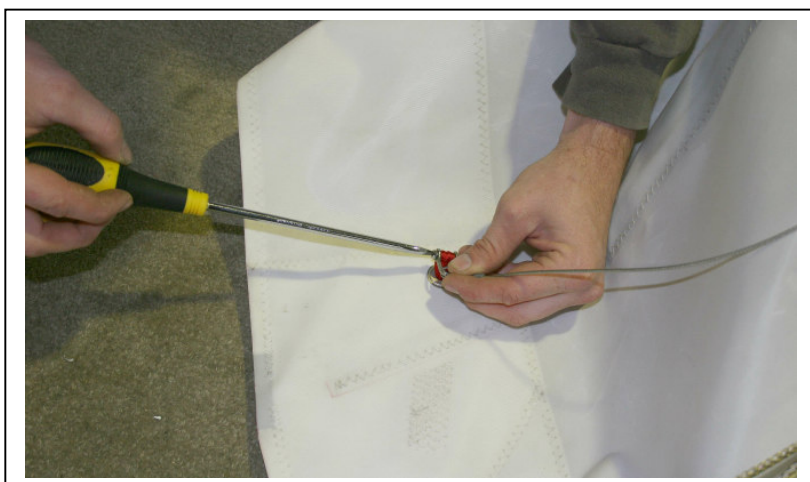


Figure 25 Fit King Post

Fit Reflex Bridle



- Reattach bridles to sail using Loctite 243 on the shackle screws.
- Head of the shackle screw faces to the rear of the sail.

Figure 26 Fit Reflex Bridle

Insert Battens and Tension Cross Bar

- Insert battens and pull cross bar tension on.

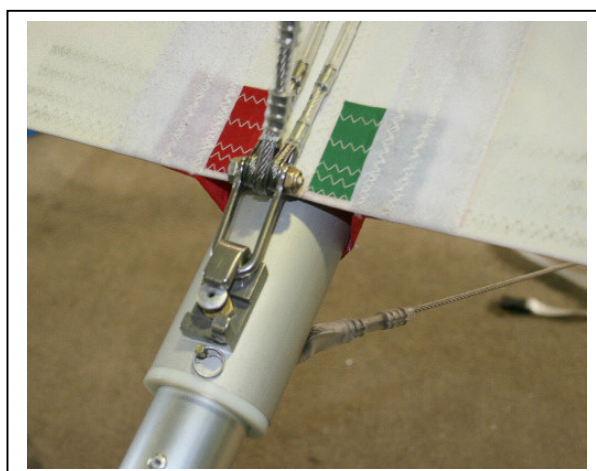
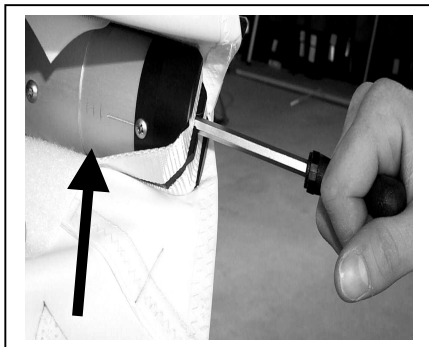


Figure 27 Shows Crossbar Pull Back In Place.

Reset Tip Adjusters



Tension the sail using a 6mm Allen key. The tip fitting should be adjusted until the leading edge is positioned on the:

3rd mark for Wizard Wing

The markings are on the internal tube and should be adjusted until the appropriate mark aligns with the main outer tube.

Secure Velcro tabs around the leading edge.

Figure 28 Tension Tip

NOTE

If you find difficulty pulling the sail tension on the leading edge the adjustable tips can be wound in (clockwise). The sail nose tangs can be removed to allow the sail to move back. It is, however, extremely important to check that the sail at the nose does not foul on the frame when the wing is being tensioned. Ensure that the nose tangs are replaced and secured.

Dive Stick Strut



- Insert into leading edge
- Ensure that the dive strut locates correctly.

Figure 29 Insert Dive Stick Into Leading Edge

Attach Swan Catch

- Attach swan catch.
- Secure and tighten nose webbing tangs.

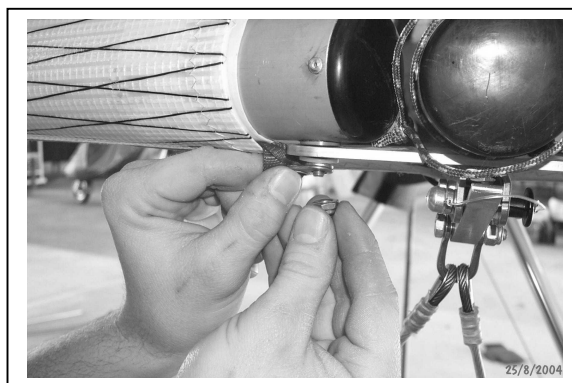


Figure 30 Nose Webbing

Quality Assurance

After this procedure is completed recheck all nuts, bolts and connections, make sure that there are no parts left over or missing from the assembly.

NOTE

It is good practice to have an independent person check the airframe. AirBorne WindSports always uses a different person for checking the assembly process. Following is the Final assembly QA sheet, which may assist in performing the final inspection process. This QA is used by trained personnel and does not represent all of the instructions that are necessary for a safe aircraft. It is to be used as a reference only.

© AirBorne WindSports Pty. Ltd.
Wizard III Maintenance Manual

QA Inspection Form, applicable to Wizard wings.

WIZARD III WING FINAL QUALITY INSPECTION

GJP-129

Work Order No

W -

Line	Check Operation, Security and Finish	WIZARD III	
		Left Hand Side	Right Hand Side
1.	Nose Assembly		
2.	Nose Catch		
3.	Nose webbing secure		
4.	Nose Batten		
5.	Nose Cone		
6.	Top Front Wires		
7.	Keel Roller/U-Bracket		
8.	Down Tubes top assembly		
9.	D/Tube Stops		
10.	King Post Base		
11.	Cross Bar Hinge		
12.	Cross Bar Padding		
13.	Down Tube Bottom Corners		
14.	Bottom Front Wires		
15.	Side Wire Shackles		
16.	Base Bar Bolts		
17.	Cross bar / Leading Edge Junction		
18.	Top Side Wires		
19.	Bottom Side Wires		
20.	X/Bar L/Edge Zip		
21.	Tip Webbing Located Correctly		
22.	Tip Tension Adjusted (Standard Position 3rd Mark)		
23.	Clip Batten Tension Adjusted		
24.	Tip Scuff Pads		
25.	Washout Rods		
26.	Leech Line Cleat		
27.	Reflex Bridle Shackles		
28.	Pull Back Wires / Quick Clip		
29.	Bottom Rear Wires		
30.	King Post Top Assembly		
31.	King Post Base Placard		
32.	Serial number Placard		
33.	Include Test Fly Sheet		

Table 6 Airborne Final QA Inspection Sheet

6. DIMENSIONS AND AREAS

6.00.00 General

This section gives general dimensions for the wing. It should be noted that this is a flex wing aircraft and the dimensions that are given will be different depending on the loads on the wing. In general the dimensions that have been supplied are those without the sail on the wing (which bends the leading edge and slightly reduces the wing span), and with the wing on the ground, resting on the base bar. As the wing is loaded in flight the lower wires will become taut and the amount of anhedral will reduce, changing the geometry and dimensions to the optimal positions for flight.

6.10.00 Major Dimensions of the X Series Airframe

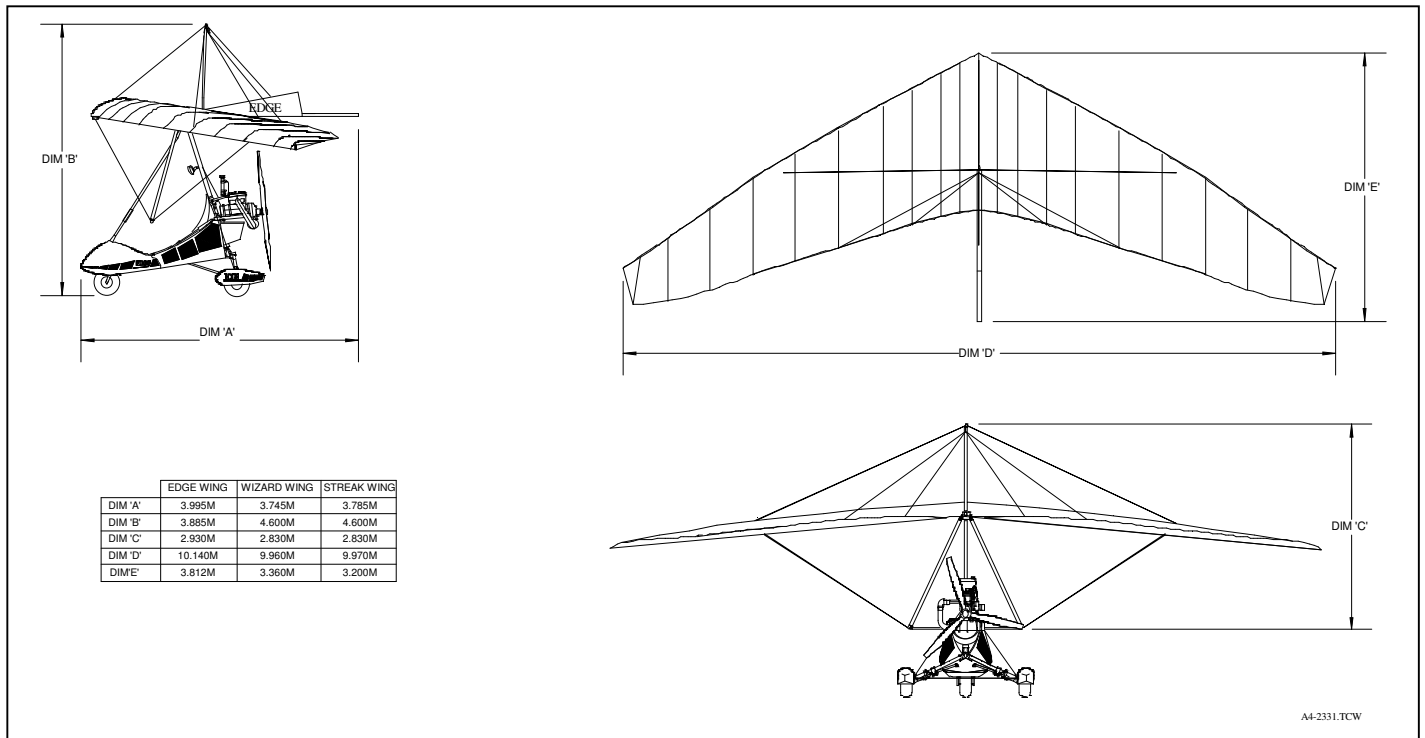


Figure 31 Major Dimensions Of Airframe

6.30.00 Significant Dimensions and Areas

General

The Major dimensions of the wing are listed below.

	Wizard	
	Metric	Imperial
Sail Area	16.8 m ²	181 ft ²
Control Frame Rake Angle	67°	67°
Wingspan	9.96 m	32.7 ft
Control Frame Height From Keel	1.5 m	4.92ft
Nose Angle (With Sail Installed)	123.5 ⁰	123.5 ⁰

Table 7 Dimensions And Areas

9. GROUND HANDLING

9.00.00 *General*

The wing should only be moved in the packed up condition or if necessary when attaching to the base.

When moving the wing in the assembled position it is recommended that the wing is lifted with the shoulders whilst standing in the control frame. It is suggested that an assistant is used to support the weight on the rear of the keel tube.

If there is wind or gusts the wing can easily be caught by the wind without proper handling. If there is a significant amount of wind, it is advisable to have assistants to hold the side wires. The wing should be moved with the nose facing into the wind.

CAUTION

ENSURE THAT WHEN MOVING THE WING IN WINDY CONDITIONS THAT THE NOSE IS KEPT LOW WHEN FACING INTO THE WING. THE WINDWARD TIP SHOULD ALSO BE KEPT LOWER TO AVOID THE WING RISING.

9.10.00 *Ground Transportation*

Avoid damage to your wing by using well padded racks. Careless transportation can cause considerable damage to your wing.

We recommend that you support the wing in at least 3 places to spread the load. The wing should be transported with the control frame down to minimise the chance of damage to the cross tubes.

Flat straps should be used for tie downs to avoid damage to leading edge mylar.

Store the wing in a dry room off the ground. Air the wing out regularly to avoid mildew, and never store wet.

10. DERIGGING

10.00.00 General

For derigging and storage see Sections 4 of the Aircraft Operating Instructions or Pilots Operating Handbook as applicable.

11. REQUIRED PLACARDS

11.00.00 General

The placards that are present on this aircraft are a legal requirement showing safety information, emergency information and identification of the aircraft. The placards must be repaired or replaced if they become illegible or damaged in service. Replacement placards may be purchased from an Airborne dealer or direct.

11.10.00 Required Placards

The placards on the aircraft are designed to provide information regarding general aircraft limitations and other details for the safe operation of the aircraft.

The placards that are required for operation of this aircraft are available in the Aircraft Operating Instructions, Section 4.5, "Placards".

20. STANDARD PRACTICES - AIRFRAME

20.00.00 General

This chapter gives details for each of the bolts that are used on the wing. This is because there are few fittings which require standard torques.

20.10.00 Torquing Procedures

Correct torquing of fasteners is critical. If a bolt or fastener is too loose it may cause unnecessary movement resulting in wear or fatigue damage, while over tightening may cause tensile failure of the bolt, or crushing of components. Specific torques should be determined using an accurate torque wrench. The torque required after the nut is fully on the shaft, but not against the mating surface should be added to the final torque value.

WARNING

THE CORRECT TORQUING OF THE BOLTS FOR THE WING SECTION OF THE AIRFRAME IS ESPECIALLY IMPORTANT FOR THE SAFETY AND LONGEVITY OF THE WING. IN GENERAL STANDARD TORQUING VALUES WILL NOT BE APPLICABLE, BECAUSE OF THE NATURE OF THE THIN WALL ALUMINIUM TUBING THAT HAS BEEN USED TO CONSTRUCT THE MAJORITY OF THE WING STRUCTURE.

NEVER TIGHTEN NUTS SO THAT THE ALUMINIUM TUBING IS DEFORMED FROM ITS CIRCULAR CROSS SECTIONAL SHAPE.

ALWAYS HAVE AT LEAST ONE FULL THREAD SHOWING PAST ANY NYLOC NUT THAT IS USED.

NEVER REPLACE COMPONENTS WITH A SUB STANDARD PART. TO REITERATE, OTHER GRADES OF BOLTS – SUCH AS GRADE 8 DO NOT HAVE THE SAME STRENGTH / FATIGUE CHARACTERISTICS AS AN (AERONAUTICAL GRADE) BOLTS.

Special Torquing Procedures

Special Notes for each of the bolts on the wing are given in the table below, along with references to the illustrated parts catalogue, which should be used to ensure that the components are reinstalled in the correct sequence.

Definition of “Just Not Loose”

A definition of torque has been made for the assembly of this wing which has been called “Just not loose”, a setting which is used to achieve the best combination of strength characteristics of the tubing while not allowing any vibration or relative movement of the bolt in the axial direction. In practice this means that the nut shall be tightened adequately to ensure that each of the components that are held by it are in contact with each other, and then approximately ¼ turn more should be made. The resulting fit should not allow any axial movement of the bolt in its location, but will allow rotation (using fingers) of a held component to be achieved with approximately 20mm of lever arm (eg. a wire tang).

© AirBorne WindSports Pty. Ltd.
Wizard III Maintenance Manual

No.	Area	Instructions
1.	Nose Assembly	Central bolts, "Just Not Loose" Outer bolts to leading edges may be slightly tighter, make sure that the sail tangs are in place with approximately two threads showing. This area may be slightly tighter than "Just Not Loose" because there is a bush in the leading edge (see Illustrated Parts Catalogue).
2.	Nose Catch	"Just not loose" (See Illustrated Parts Catalogue)
3.	Keel Roller / U Bracket	The socket countersunk cap screws which locate in the "Neg Plate" (horizontal aluminium plate with serial number riveted to it) should be tightened to approximately 25 Nm. Red Loctite 262 must be used (see Illustrated Parts Catalogue)
4.	Down Tubes Top Assembly	The down tubes are also attached to the U-bracket. The down tubes need to move relative to the U-Bracket, therefore it is important that they are able to move after tightening. This may be slightly tighter than "Just Not Loose" Ensure that there is no gap between the neg plate and the U-bracket, there should be approx 2-3 threads showing.
5.	Cross Bar Hinge	The central bolt should be tightened to "Just not loose", the black acetal cross bar protector should still be able to be rotated by hand (see Illustrated Parts Catalogue).
6.	Down Tube Bottom Corners	The side wire / "D" shackle and base bar fitting bolt, should be slightly tighter than "just not loose", but the "D" shackle and base bar knuckle should be able to be rotated by hand. Loctite is not required.
7.	Base Bar Bolts	"Just not loose".
8.	Cross Bar Leading Edge Junction	"Just not loose". NOTE The vertical bolt will have approximately four threads showing (see Illustrated Parts Catalogue).
9.	Top Side Wires	"Just not loose".
10.	Bottom Side Wires	"Just not loose".
11.	Reflex Bridle Shackles	Firm – tighten to the end of the thread, use Loctite 243.
12.	Pull Back Wires	Tighten bolt till 1-2 threads are showing. NOTE The wires that locate on the bolt will float slightly from side top side (see drawing 6483 Illustrated Parts Catalogue) - there will be three wires in the pull back shackle, with the inclusion of the top front back wire.
13.	Quick Clip Bolt and Bottom Rear Wires	"Just not loose" (see Illustrated Parts Catalogue)
14.	King Post Top Assembly	The acetal fitting which attaches to the king post should be tightened to approx 10 Nm (firm, see Illustrated Parts Catalogue). Locate the wires in their correct position. The cover is held in place with four self tapping screws.

Table 8 Torque Settings For The Wing

20-20-00 SAFETYING PROCEDURES

All bolts and nuts, except the self-locking type, should be safetyed after installation. This prevents them from loosening in flight due to vibration.

Self-Locking Nuts

Self-locking nuts are used throughout the airframe. Self-locking nuts may be reused but not if they can be run on the thread by hand without using tools. After a self-locking nut has been tightened at least one full thread pitch of the male thread must protrude through the nut-locking feature.

Loctite

On any bolt that does not have a Nyloc type locking mechanism, Loctite 243 should be used to prevent premature loosening. On the U-bracket Loctite 262 (Red High Strength) needs to be used.

27. FLIGHT CONTROLS

27.00.00 General

The Wizard wing uses weight shift control. This means that there is no need for most of the traditional flight control surfaces such as flaps and rudders. The pilot uses the control bar to shift weight relative to the attachment point of the base to the wing, which in turn causes a reaction in the wing and the control response of the aircraft.

27.30.00 Reflex Bridles

Reflex bridles produce longitudinal stability when the wing is at zero or negative angles of attack. The reflex bridles work by stopping the trailing edge of the wing moving downward, as they are tethered to the king post assembly. When the wing has any negative load on the top surface the rest of the lifting surface will move downward relative to the trailing edge, effectively creating elevator type control surfaces that produce a positive pitching moment, helping to restore level flight.

57. WINGS

57.00.00 General

The main structure of the wing comprises of aluminium tubing and stainless steel wire. The lifting surface is constructed from Dacron polyester fabric. The wing is subject to maintenance checks and preflight procedures that must be carried out prior to flying. Any dents crazing, bends (except for tube bending caused by normal flight and set up loads), corrosion or other distortion of the wing structure renders the wing unsafe to fly. Secondary structures of the aircraft are limited to:

- Keel extension structure

CAUTION

IT SHOULD BE NOTED THAT ALL OF THE TUBES THAT ARE USED ARE SPECIFIC GRADES OF ALUMINIUM DESIGNED FOR FLEX, STRENGTH AND FATIGUE CHARACTERISTICS. ALL OF THE TUBES ARE SLEEVED FOR STRENGTH AND WHERE STRESS CONCENTRATIONS EXIST. IF ANY TUBING IS TO BE REPLACED IT SHOULD BE REPLACED WITH AIRBORNE SPARE PARTS ONLY.

57.10.00 Main Frame Description

This section allows the user to understand the main function of each of the components of the wing, which should help the operator, or maintenance personnel to properly inspect the wing.

Keel

The keel of the wing is mainly constructed from 6061 T6 aluminium. Each of the major components of the wing are attached to the keel. Major components from the front to the rear of the keel:

Nose Plates

The nose plates are bolted to the keel and provide attachment points from the leading edges to the keel. They are attached to the keel with bolts. The nose plate bolts also attach the stainless U-channel where the front wires attach to the swan catch.

U-Bracket

The U-bracket provides a mounting point for both the control frame and the trike mast, the main attachment point for the base to the wing. The U-bracket is allowed to rotate around the keel, and is held in position longitudinally with acetal bungs, which are bolted to the keel.

Quick Clip

The quick clip is bolted to the keel with the same bolt used to attach the rear wires.

King Post

The king post assembly is a vertical post from the keel of the wing, which supports the reflex bridles the top front and back wires, and the top side wires. The king post works in compression, and is located on the keel using a locating pin. The main material is 6061 T6 aluminium for both the tubing and the fittings.

Control Frame

The control frame is constructed mainly from 6061 T6 aluminium. The control frames down tubes work mainly in compression due to the positive loading of the wing, which is reacted through the Side wires

and base bar sections. The base bar works mainly in tension through the side wire loads from the crossbars and leading edges.

The control frame is bolted to the keel through the U-bracket. The fittings at the top of the control frame allow relative movement between the U-bracket and the control frame. This is necessary because of the movement between the base and the wing during the weight shift control actions.

Leading Edge

The leading edges are mainly constructed from 6061 T6 Aluminium. The leading edges are mainly loaded in bending and compression and share loading with the cross bars during positive and negative flight loads.

The leading edges are attached to the keel through the two nose plates at the front of the wing, and via a bolt assembly to the cross bars and the outboard wires. The rear leading edges fit inside the leading edge tubes, which locate onto a horizontal bolt in the leading edge assembly. The rear leading edges are a part of the leading edge, but are made in order that they may be removed for ease of shipping.

Cross Bars

The cross bars are mainly constructed from 6061 T6 aluminium. The cross bars serve the purpose of holding the leading edges forwards and spread against the sail, they share the loading with the leading edges during positive and negative flight loads.

The cross bars are attached to each other at the keel using a ball joint that allows relative movement. They are also tethered to the keel via a webbing loop. The cross bars are attached to the leading edges outboard using a bolt assembly. The top and bottom side wires are a part of the bolting arrangement.

Battens

The battens are mainly constructed from 7075 T6 aluminium. The battens are located with batten pockets sewn into the sail. The batten fittings at the trailing edge secure the battens into their pockets. The battens help to maintain the profile of the wing during flight, and are important to the correct and stable operation of the wing. For this reason there is a batten profile that is supplied with each wing for the battens to be checked against.

WARNING

DO NOT FLY THE WING WITH ANY OTHER BATTEN PROFILE THAN THAT SUPPLIED BY AIRBORNE, AS VARIATION MAY HAVE SERIOUS EFFECTS ON THE FLIGHT PERFORMANCE STALL AND STABILITY CHARACTERISTICS OF THE WING.

Top and Bottom Side Wires

The bottom side wires are stainless steel braided wires, which are attached to the cross bars and the knuckle at the bottom of the control frame through swaged fittings. The control frame end is attached via a stainless D-shackle, while the cross bar end has a fitting that allows a bolt to secure it.

Top and Bottom Front To Back Wires

The bottom front back wires are stainless steel braided wires that have swaged fitting at each end for attachment to the nose catch, control frame and keel.

Reflex Bridles

The reflex bridles are mainly stainless steel wire swaged together and attached to the top of the king post via the top king post fitting, and to the sail using D-shackles.

57.30.00 Sail

The sail comprises the lifting surface of the wing. It is mainly constructed of Dacron polyester fabric, with some Mylar material making up the leading edge areas. The sail is constructed from many individual panels, which are sewn together using polyester thread to form the required shape. The sail has attachment points sewn into it to attach to the frame at various points and to hold the battens in place. The sail also provides zips that facilitate easy preflight inspection of all the members inside the double surface wing.

The sail should be kept out of the sun as much as possible as sunlight will damage the sail, and in time will cause it to fail the required Bettsometer tests.

Inspection

- Check for tears in the sailcloth or any loose or unravelled seams.
- Check all webbing securing points are not damaged or worn.
- Check all inspection zippers to see if they function smoothly and close completely.

Protection

Ultraviolet radiation from strong sunlight ultimately reduces the strength of Dacron, but this may be reduced to an acceptable level by careful consideration of the wings use and exposure. In its bag the wing is fully protected. Sunlight will eventually cause it to fail the required Bettsometer tests.

KEEP THE SAIL COVERED WHEN NOT IN USE AS CONTINUED EXPOSURE TO ULTRAVIOLET RADIATION DRAMATICALLY REDUCES SAIL LIFE.

The Dacron sailcloth may be cleaned with warm soapy water. Strong detergents must not be used. Thoroughly rinse with plenty of clean water.

NEVER USE CHEMICAL SOLVENTS OR APPLY WATER REPELLENT COMPOUNDS.

57.30.10 Bettsometer Testing

Bettsometer testing is a method of determining the tensile strength of the sail fabric and stitching, which is known to degrade during the life of the sail.

Hour or Time Related Check Limits

Annual Bettsometer test with a 1.2mm diameter needle, with wing sails fitted and tensioned for flight is to be carried out to:

Upper & lower surface: 1360 grams.

Stitches: 1360 grams using a 1mm or 1.2mm diameter hook, pull upwards.

As well as the annual check there are several criteria for testing of sails, which are highly dependent on the conditions that the sail fabric is exposed to. The pilot/operator of the aircraft is responsible for determining the level of exposure that the sail experiences.

Generally the method used for fabric testing is a Bettsometer test (on an annual basis). Annual testing has been found to be adequate for recreational user where the operator takes care to avoid unnecessary exposure to UV.

More frequent testing (200 operating hours or 750 UV hours) is applied where operators exceed these hours prior to the annual test.

NOTE

- If a wing is stored under a roof, but the roof does not have doors on the front – i.e. an open hanger, the wing will still experience UV degradation.
- If a wing is flown, and or left in the open for a day, this will equate to 8-10 hours of UV exposure.

Where aircraft have been exposed to high levels of UV over an extended period (such as being left set-up in the open for 3 months or more - equivalent to 750 UV hours), then testing prior to return to service is recommended.

The instructions that are supplied with the Bettsometer should be followed to ensure proper testing.

NOTE

Some instructions that may be helpful,

- The instructions that come with the Bettsometer recommend that *"any flat section of the sail, clear of obstructions"* is suitable for fabric testing. Single layer sections of the sail would give a more relevant test result than patched or multi-layered sections and obviously those areas most exposed to UV damage (usually the top surface) would be the most useful to test.
- Likewise the stitching exposed on the top surface would show the most UV degradation and will give a better indication of the strength left in the thread than that on the under surface.



Figure 32 Bettsometer Instrument

(example supplier: <http://www.conairsports.co.uk/>)

57.30.20

Minor tears or rips in the sail

Minor sail repairs are a Line Maintenance task which Sport Pilots are suitable to perform unless local regulations prohibit owner maintenance for sails. A repair is classified as minor if tears are less than 30mm long, provided that no free edges (such as the wing trailing edge) are broken and that the tear is isolated and not within 50mm of an existing seam line or 100mm of the trailing edge. Also, abraded holes no more than 15mm in diameter. Such damage may be replaced with self adhesive patch material (often called "sail tape" or "sticky back sail repair tape") such as used for registration letters. If possible a patch should be applied to both sides of the fabric.

(Reference BMAA TIL No. 015 Issue 1.)

The tape is available from Airborne as a spare part.

Any other significant damage should be discussed with Airborne or a dealer for an assessment of the best repair option.

57.40.00 Tuning

Roll Tuning

Your aircraft was test flown and delivered to you in good flying order.

WARNING

EXPERIENCED PERSONNEL SHOULD ONLY CARRY OUT ADJUSTMENTS TO THE WING, IDENTIFICATION OF A TURN SHOULD ALSO BE CARRIED OUT BY AN EXPERIENCED PERSON. ANY ADJUSTMENTS SHOULD BE RECORDED IN THE MAINTENANCE LOG. CHANGES REQUIRED FOR TUNING ARE SMALL AND INCRIMENTAL. MAJOR CHANGES WILL CAUSE THE WING TO PERFORM BADLY, AND MAY BE DANGEROUS.

If you feel that the wing requires adjustment to trim in the roll or the pitch axis you should check that the problem is not caused by something asymmetrical in the frame or the battens. In order of priority check the following:

- Ensure that the wires, especially the reflex bridles are correctly routed
- Check the battens against the template
- Check that the sail webbing is correctly mounted on the leading edges and tensioned to the correct mark
- Check the keel is straight
- Check that the leading edges are straight and that the rear leading edges are located correctly

To check your battens use the following procedure:

- Remove the battens from the wing after the wing is de-tensioned as required during the pack up phase. See Pilot's Operating Handbook for pack up procedures
- Lay the template out on a flat surface.
- Note whether the battens have been reflexed. Do not change the reflex initially. The battens may have already been reflexed to correct a turn.
- Start with the keel batten lining the nose of the batten up with the start of the line. The line should be above the batten.
- If the batten does not line up, gently apply pressure using your hand or knee to get a smooth curve.

After checking as noted above a turn can be remedied by adjustments as outlined in the following table.

Roll Tuning Matrix

The following table outlines procedures for tuning a wing to correct a turn.

	Adjustment Method	Remedy Left Turn	Remedy Right turn
VERY MILD TURN	Batten Tip Ends Unclip batten ends. Rotate batten ends clockwise to reduce tension or rotate batten ends anti-clockwise to increase tension. Note: Tip batten tuning has more effect on turn tuning than the root battens.	The main sail batten tip end tension can be increased 2-4 turns on the left wing. The tension on the right can be decreased the same amount if required.	The main sail batten tip end tension can be increased 2-4 turns on the right wing. The tension on the left can be decreased the same amount if required.
MILD TURN	Tip Angle Adjustment The angle of the tip can be adjusted by rotating the angle of the tip. Adjustment requires removal of the stainless screw, which secures the tip webbing bung. The tip bung is rotated and the screw is re installed in the appropriate hole. Reduction in leading edge tension will simplify procedure. Ensure correct tension is applied after adjustment. See Section 0 Assembly After Shipping for tip adjustment details.	Rotate the left tip down (clockwise) 1 hole and re install screw. If more adjustment is required rotate the right tip up (clockwise) 1 hole and re install screw.	Rotate the right tip down (anti clockwise) 1 hole and re install screw. If more adjustment is required rotate the left tip up (anticlockwise) 1 hole and re install screw.
SIGNIFICANT TURN	Batten Reflex Adjustment One of the most effective ways to tune a more significant turn is to reflex the root battens. Contact the factory for details for reflex tuning. The wing needs to be removed from the base and de tensioned. The battens should be shaped to the template and re installed.	The battens (#3,4,5&6) on the left side should be reflexed as per batten profile.	The battens (#3,4,5&6) on the right side should be reflexed as per batten profile.

Table 9 Tuning Procedure

If after tuning the turn persists consult your authorised dealer or the factory.



Figure 33 Adjusting Tip Angle (Sail Not Fitted)

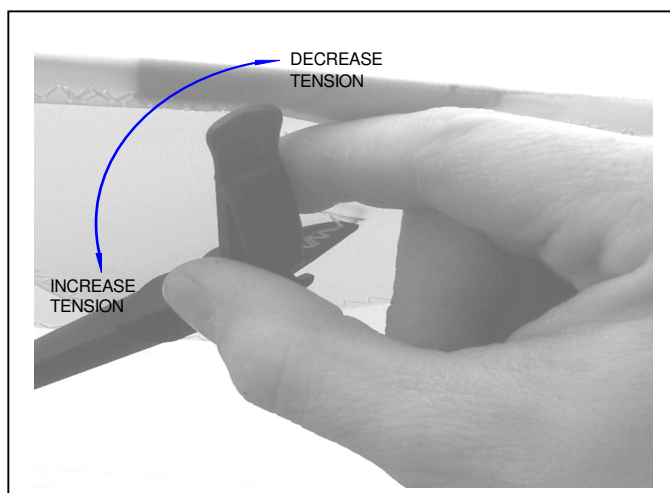


Figure 34 Adjusting Batten Tension

Pitch Tuning

Trim speed at MTOW is:

Wizard wing 35-37 KIAS

If the wing is trimming outside the specified trim range a forward or aft movement of the keel roller on the keel tube can be used to trim the wing.

A one-hole adjustment will see a typical change in trim of 5 knots. Moving the roller to the forward position will increase the trim speed whilst moving the roller rearward will decrease the trim speed. The illustrated parts catalogue should be referenced for correct reassembly.

57.50.00 Attach Fittings

U-bracket

The U-bracket is the main attachment point of the wing to the base structure, as well as to the keel of the wing. It is the major junction for the three main components of the aircraft, the wing (keel attachment), base (mast attachment) and control frame (top knuckle attachment). The U-bracket has two components, a \cap shaped channel, and a negative block that is attached in to preclude the keel from moving out the bottom of the bracket.

The U-bracket should be checked thoroughly after any unusual loads.

95. SPECIAL PURPOSE EQUIPMENT

95.10.00 Training Bars

The training bars are supplied as an option for use by qualified instructors in order to teach people to fly the aircraft, and with more experienced students to fly the aircraft from the rear if necessary. The training bars attach to the wings base bar and down tubes, and provide control extensions toward the back of the aircraft for rear occupant usage.

95.10.10 Training Bar Maintenance

The training bars are likely to be installed and removed often, therefore it is important that the components are accounted for each time that they are removed and installed, see drawing number 6505 in the Illustrated Parts Catalogue. The bars are specific for the left and right hand sides, and need to be installed on the inside of the down tubes. They should be inspected for bending, and at each of the bolt holes and welds as well as any other wear that may occur each time they are installed.

If they are permanently affixed to the aircraft they need to be inspected at regular intervals. The frequency of inspection will depend on the amount that they are used. Prior to each flight they should be checked to ensure that the locking pin is installed correctly, and that they are securely attached to the uprights and base bar.

The welded base bar attachment has been made to be slightly loose, for ease of fitment.



Training bar attachment, showing the correct attachment of the bar on the inside of the down tube. The detail view shows the sequence of components.

1. Bolt, head to the inside of the control frame
2. Tube
3. Nylon Washer
4. Down tube clamp (both sides)
5. Wing nut, turned until both sides of the down tube clamp contact. Ensure the training bars are held securely
6. Safety pin

WARNING
WHEN INSTALLING TRAINING BARS
ENSURE THAT THE BASEBAR SAFETY WIRE
IS REINSTALLED CORRECTLY. THE BOLT
WHICH ATTACHES THE SAFETY WIRE IS
REMOVED AND REINSTALLED WHEN THE
TRAINING BARS ARE INSTALLED.

Notes:

Photograph shows faired downtubes.

The attachment to the base bar, a pip pin or bolt secures the training bar to the base bar, and also secures the control frame knuckle. A longer pip pin

or bolt is necessary for the larger diameter tube of the training bar.

Figure 35 LHS Training Bar Attachment

APPENDIX A – Condition Inspection Checklist

Wing Maintenance Log. S/N: _____

Date	Hours	Maintenance Section or Service Bulletin	Work Performed	Maintained by

Table 10 Condition Inspection Checklist

APPENDIX B – Feedback Form


Operation and Maintenance Feedback Form	
	<p>Please use a copy of this form to provide notification to the manufacturer about issues or anomalies identified during the operation or maintenance of the aircraft or in the content of the manual.</p>
<p>Return to AirBorne WindSports Pty Ltd PO Box 7042 Redhead New South Wales 2290 Australia Fax +61 2 4944 9199 Email trikesupport@airborne.com.au</p>	<p>Please provide your own contact details below</p>
<p>Issue Description</p>	
<p>If you have a proposal to remedy the issue please provide it here:</p>	
<p>Number of pages submitted including this cover page _____</p>	

Table 11 Feedback Form

End Wizard Maintenance Manual

This page is left blank intentionally

AirBorne



AUSTRALIA

WIZARD 3 ILLUSTRATED PARTS CATALOGUE

Version # 1
Issue Date 15-02-05
Applicability: Wizard 3

Unit 22/30 Kalaroo Rd
Redhead 2290
New South Wales
Australia
Phone (+61) 2 49449199
Fax (+61) 2 49449399

Part # 106971

Copyright Notice

© Copyright Airborne Windsports Pty. Ltd. 2004

All rights reserved.

Except where the Copyright Act otherwise allows, no part of this parts catalogue may be reproduced, stored in a retrieval system in any form or transmitted by any means without prior permission in writing of Airborne Windsports Pty Ltd.

TABLE OF CONTENTS

1. DISCLAIMER

2. INTRODUCTION

3. WING and AIRFRAME PART DRAWINGS

3.01	Trike Wing A Frame Corner Assembly	-	Drawing # 2310
3.02	Wizard and Streak Nose Junction Assembly	-	Drawing # 4622
3.03	Wizard and Streak X Bar to Leading Edge Assembly	-	Drawing # 4623
3.04	Trike Wing King Post Type 2	-	Drawing # 4752
3.05	Wizard 2 and 3 A/Frame Top and Rear Keel Assembly	-	Drawing # 4759
3.06	Rear Leading Edge Assembly	-	Drawing # 5228
3.06	Wizard 3 Sail to Airframe Assembly	-	Drawing # 5323
3.07	Wizard 3 X/Bar Hinge / Pullback Assembly	-	Drawing # 5333
3.08	Quick Clip Block	-	Drawing # 7048
3.09	Batten Interchange Table	-	Drawing # 6712
3.10	Trike Wing Frame Interchange Table	-	Drawing # 6713

DISCLAIMER

This manual has been prepared to assist in the identification of items that may be required for spare parts. Approved changes may have been made to the aircraft prior to and after this set of drawings was created. Full comparison and identification must be ensured before use.

Airborne is in no way responsible for the quality of workmanship of people that use this manual, and all persons must abide by local regulations regarding maintenance of aircraft.

INTRODUCTION

1.1

About This Manual

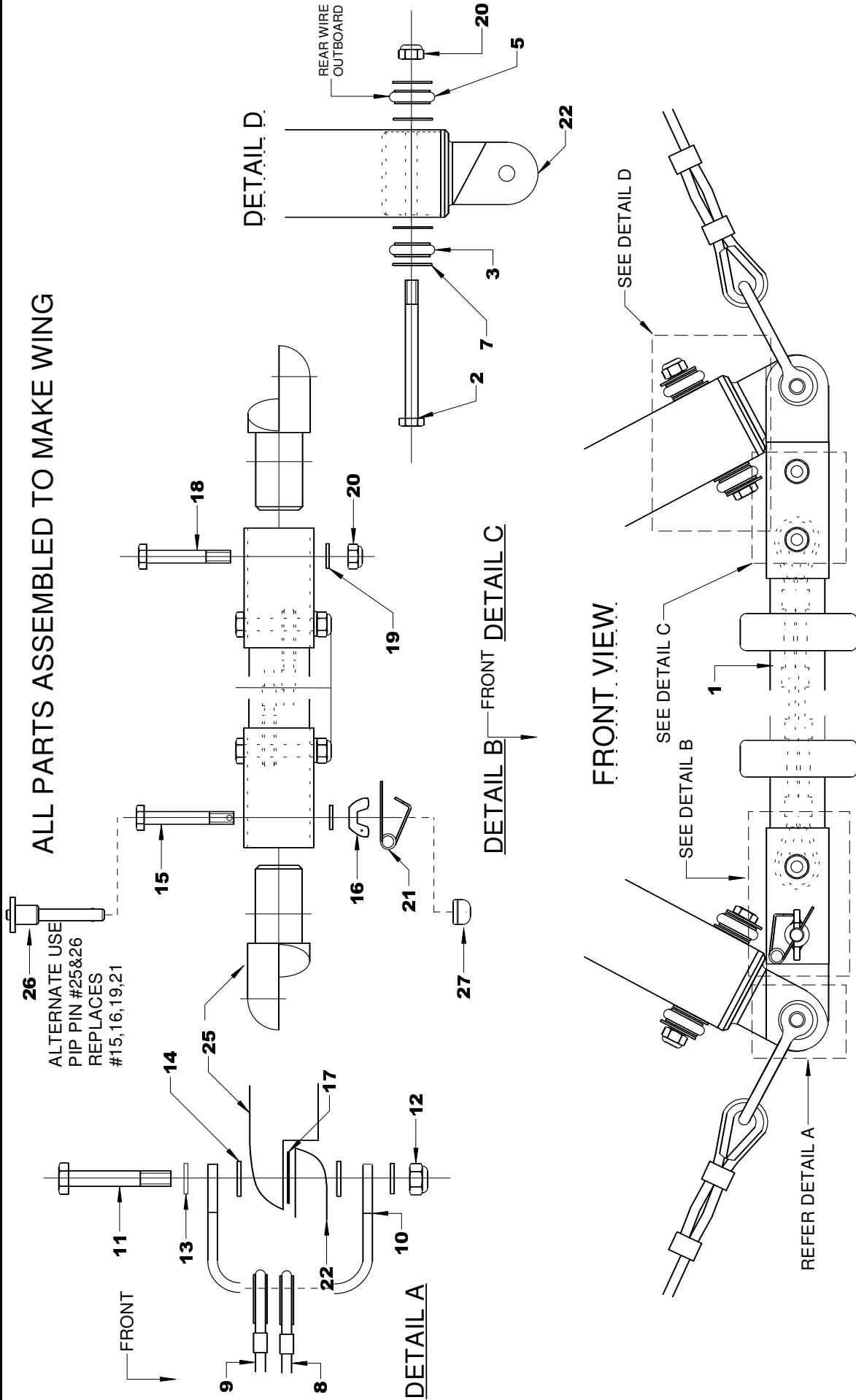
This parts catalogue has been prepared to aid in the identification of components that may effect the airworthiness of the Airborne Wizard Series of Wings.

Drawings with various levels of detail are supplied that include all of the spare parts available – specific to the serial number identification of the wing.

Each of the parts listed are available as spare parts. If a component is not listed then it may only be available as a complete part. For example spare parts are not available for the base bar, only the entire base bar assembly is supplied as a spare part.

All parts available are named and have part numbers, this is the identification system that should be used to order spares, eg: Shackle RF615 4mm, Part Number 100406, and the quantity required.

ALL PARTS ASSEMBLED TO MAKE WING



Rev	AMENDMENTS	Date
2	ADD OF WING NUT (DCR230)	10/11/95
3	BASE BAR WIRE & PROTECTORS ADDED	03/11/97
4	ADD WIZ II & STREAK	01/02/99
5	ADD WIZ II PX & STREAK II PX, PIP PIN	14/06/02

ALL DIMENSIONS IN MILLIMETRES

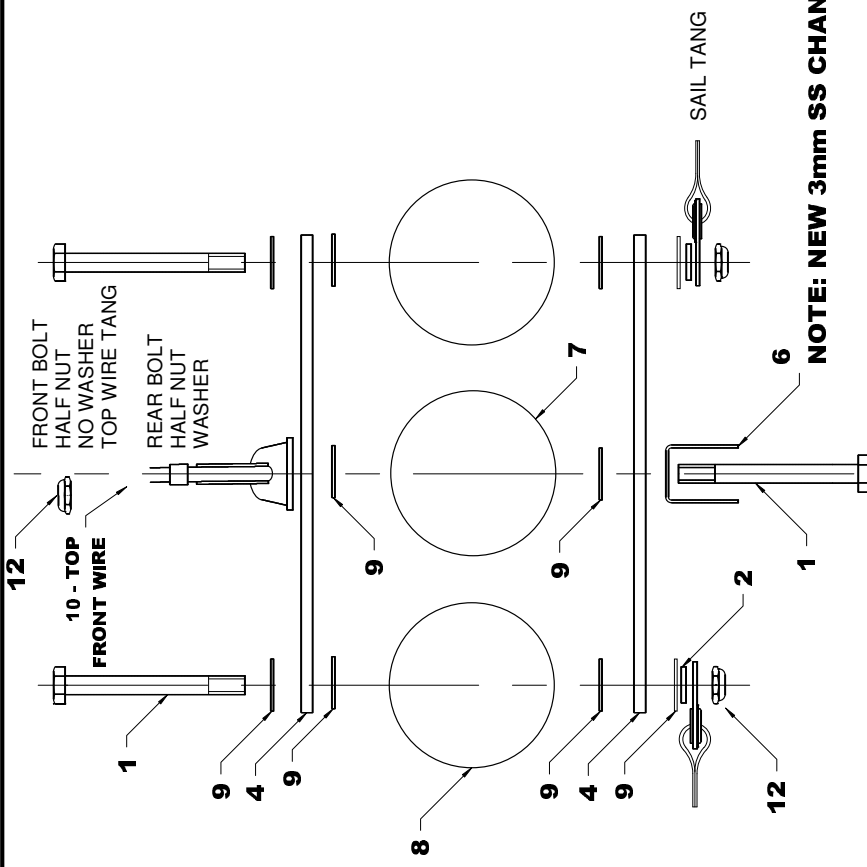
Drawn by	Scale	Date
JADY	1 : 2	30-8-91

AIRBORNE WINDSPORTS PTY LTD
 TRIKE WING - A-FRAME CORNER ASSEMBLY
 A3-2310

Trike Wing A-frame Corner Assembly

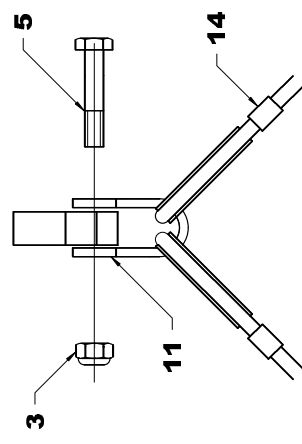
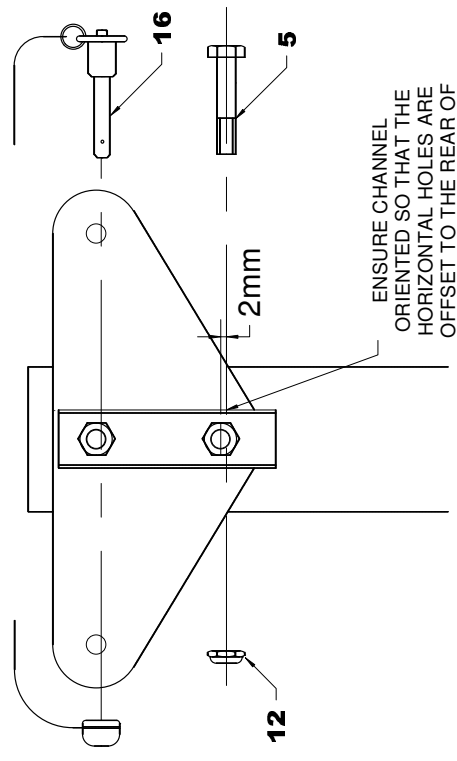
Trike Wing A-frame Corner Assembly						
Dwg No A3-2310 07/09/2004						
Id	Part No	Details	WIZARDII	WIZARDSK	WZIII	WIZARD
1	103207	C/BAR BASE TUBE WITH GRIPS SILVER	1.000	1.000	1.000	1.000
2	100009	BOLT AN4-26A	2.000	2.000	2.000	2.000
3	103261	FRNT FLYING WIRE WIZZ 2010		2.000		2.000
	104040	FRNT FLYING WIRE WIZZ II 2030	2.000		2.000	
4	103209	D/TUBE TUBE TRIKE SILVER WITH KNUCK	2.000	2.000	2.000	2.000
5	103212	REAR FLYING WIRE WIZARD/STREAK	2.000	2.000	2.000	2.000
7	102018	WASHER SS 1/4 X 3/4"	8.000	8.000	8.000	8.000
8	103259	SIDE BOTT WIRE FWD WIZZ 2475		1.000		1.000
	103889	SIDE BOTT WIRE FWD WIZZ II&III 247	1.000		1.000	
9	103260	SIDE BOTT WIRE AFT WIZZ 2485		1.000		1.000
	103890	SIDE BOTT WIRE AFT WIZZ II&III 2485	1.000		1.000	
10	100067	SHACKLE RF639 5/16IN SIDE WIRE	2.000	2.000	2.000	2.000
11	100016	BOLT AN5-20A	2.000	2.000	2.000	2.000
12	100037	NUT NYLOC AN5 HALF	2.000	2.000	2.000	2.000
13	100043	WASHER AN5	4.000	4.000	4.000	4.000
14	100595	WASHER NYLON M 8 STD	4.000	4.000	4.000	4.000
15	100004	BOLT AN4-16	1.000	1.000		1.000
16	102472	WINGNUT AN4	1.000	1.000		1.000
17	100624	WASHER MYLAR	2.000	2.000	2.000	2.000
18	100967	BOLT AN4-15A	2.000	2.000	2.000	2.000
19	100042	WASHER AN4	2.000	2.000	1.000	2.000
20	100034	NUT NYLOC AN4 FULL	3.000	3.000	3.000	3.000
21	100920	SAFETY PIN	1.000	1.000		1.000
22	100779	D/TUBE BTM KNUCKLE TRIKE ROUND D/TU	2.000	2.000	2.000	2.000
25	100781	C/BAR KNUCKLE TRIKE ROUND D/TUBES	2.000	2.000	2.000	2.000
26	102146	PIP PIN 38			1.000	
27	101418	PIP PIN CAP WITH WIRE			1.000	

© AirBorne WindSports Pty Ltd. 2004

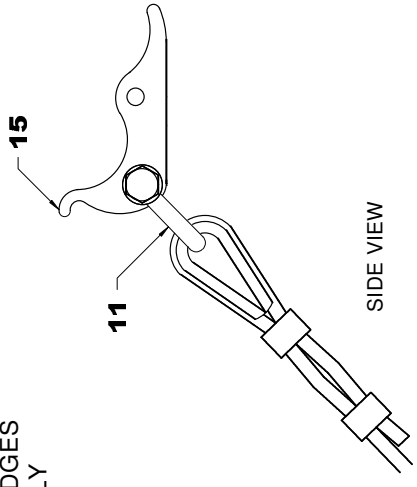


NOTE: NEW 3mm SS CHANNEL

- ASSEMBLY INSTRUCTIONS:**
1. INSERT KEEL THROUGH CROSS BAR WEBBING
 2. BOLT ON KEEL FIRST
 3. BOLT ON TWO LEADING EDGES
 4. TIGHTEN KEEL BOLTS ONLY



FRONT VIEW



SIDE VIEW

Rev	AMENDMENTS	Date
1	ADD STREAK & WIZARD II	01/02/99
2	ADD SAIL TANGS	04/05/00
3	ADD WIZ III & STREAK II	18/07/02
4	CHANGE TO NEW CHANNEL CHANGE NUTS_DCR 2005	11-08-04

ALL DIMENSIONS IN MILLIMETRES

Drawn By	Scale	Date
Mollo	1:2.5	07/11/97

AIRBORNE WINDSPORTS PTY LTD	A4-4622
WIZARD & STREAK NOSE JUNCTION ASSEMBLY	

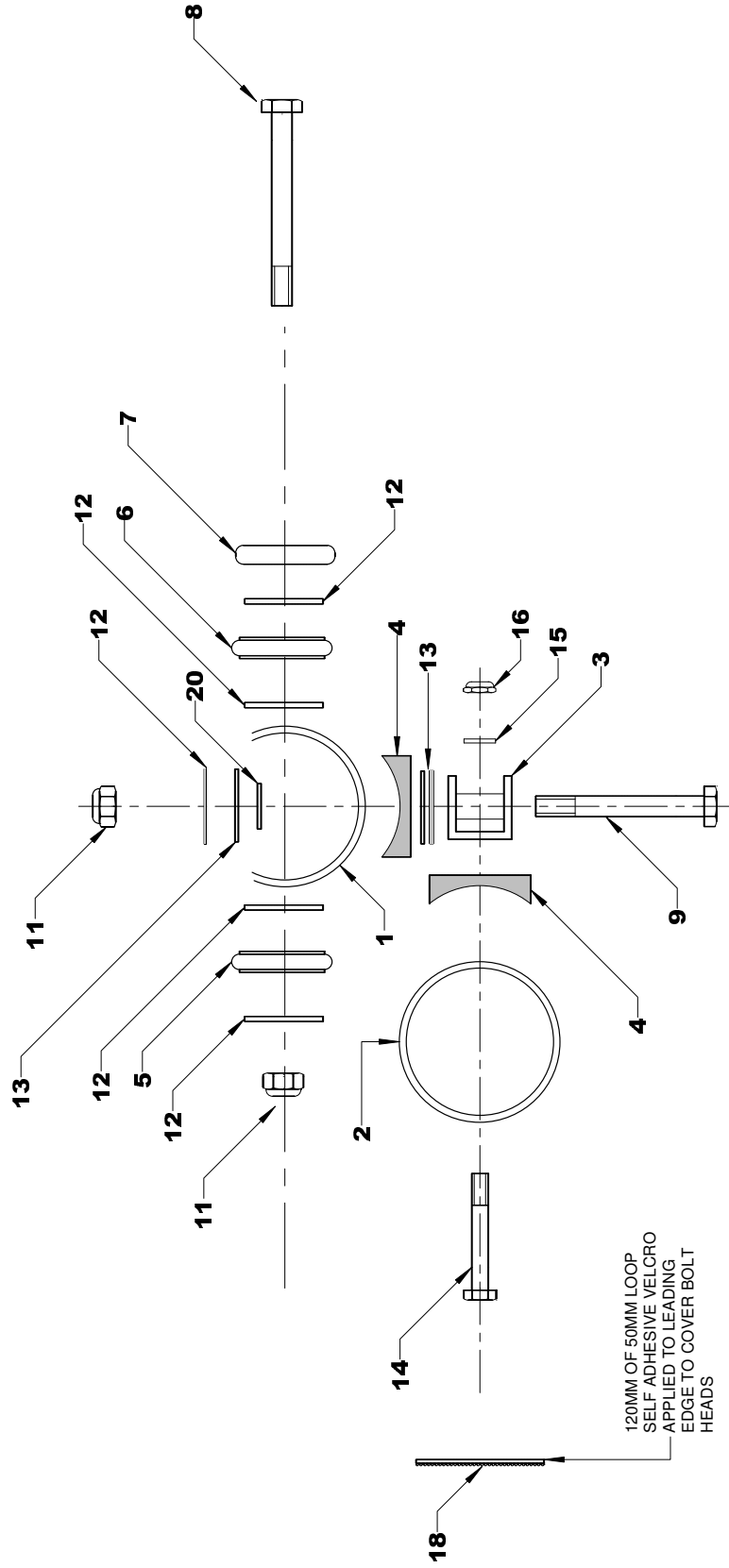
Wizard Nose Junction Assembly

Wizard Nose Junction Assembly								
Dwg No A4-4622 07/09/2004								
Id	Part No	Details	STIIFRAME	STKAIRFRA	WIZFRAME	WIZIIFRAME	WIZSKFRAME	WZIIIFR
1	100012	BOLT AN4-32A	4.000	4.000	4.000	4.000	4.000	4.000
2	100042	WASHER AN4	2.000	2.000	2.000	2.000	2.000	2.000
3	100034	NUT NYLOC AN4 FULL	1.000	1.000	1.000	1.000	1.000	1.000
4	103205	NOSE PLATE TRIKE WING 60MM KEEL	2.000	2.000	2.000	2.000	2.000	2.000
5	100003	BOLT AN4-11A	1.000	1.000	1.000	1.000	1.000	1.000
6	100761	*NOSE CATCH CHANNEL 0.85MM	1.000	1.000	1.000	1.000	1.000	1.000
	106278	NOSE CATCH CHANNEL 3.0MM	1.000	1.000	1.000	1.000	1.000	1.000
7	102960	KEEL TUBE ASSEM FRONT WIZARD			1.000			
	103600	KEEL TUBE ASSEM FRONT WIZARD SK					1.000	
	103602	KEEL TUBE ASSEM FRONT STREAK		1.000				
	103828	KEEL TUBE ASSEM FRONT WIZARD II				1.000		
	105042	KEEL TUBE ASSEM FRONT STREAK II	1.000					
	105043	KEEL TUBE ASSEM FRONT WIZARD III						1.000
8	103085	L/EDGE FRONT WIZARD			2.000	2.000	2.000	2.000
	103601	L/EDGE FRONT STREAK 123,CRUZE	2.000	2.000				
9	101055	WASHER NYLON M 6 XOD	12.000	12.000	12.000	12.000	12.000	12.000
10	103787	TOP FRNT WIRE TRIKE 3240 STREAK	1.000	1.000				
	103788	TOP FRNT WIRE TRIKE 3585 WIZARD				1.000		1.000
11	100954	SHACKLE SHGF09	1.000	1.000	1.000	1.000	1.000	1.000
12	100035	NUT NYLOC AN4 HALF	5.000	5.000	5.000	5.000	5.000	5.000
14	103261	FRNT FLYING WIRE WIZZ 2010			1.000		1.000	
	103793	FRNT FLYING WIRE STRK 1780	1.000	1.000				
	104040	FRNT FLYING WIRE WIZZ II 2030				1.000		1.000
15	100085	NOSE CATCH - SWAN	1.000	1.000	1.000	1.000	1.000	1.000
16	101042	PIP PIN 22 WITH CAP	1.000	1.000	1.000	1.000	1.000	1.000

© AirBorne WindSports Pty Ltd. 2004

ALL PARTS ASSEMBLED TO MAKE AIRFRAME

NOTE : THESE TOTALS ARE FOR THE LEFT AND RIGHT ASSEMBLIES



Rev	AMENDMENTS	Date
1	ADD WIZARD II & STREAK	01/02/99
2	Change #3 to AN5-21A	07/03/00
3	#8 BOLT CHG. WZII & STIII ADDED	18/12/02

ALL DIMENSIONS IN MILLIMETRES

Drawn by	Scale	Date
MOLLO	HALF SIZE	09/11/97

AIRBORNE WINDSPORTS PTY LTD

WIZARD & STREAK X/BAR TO LEADING EDGE ASSEMBLY

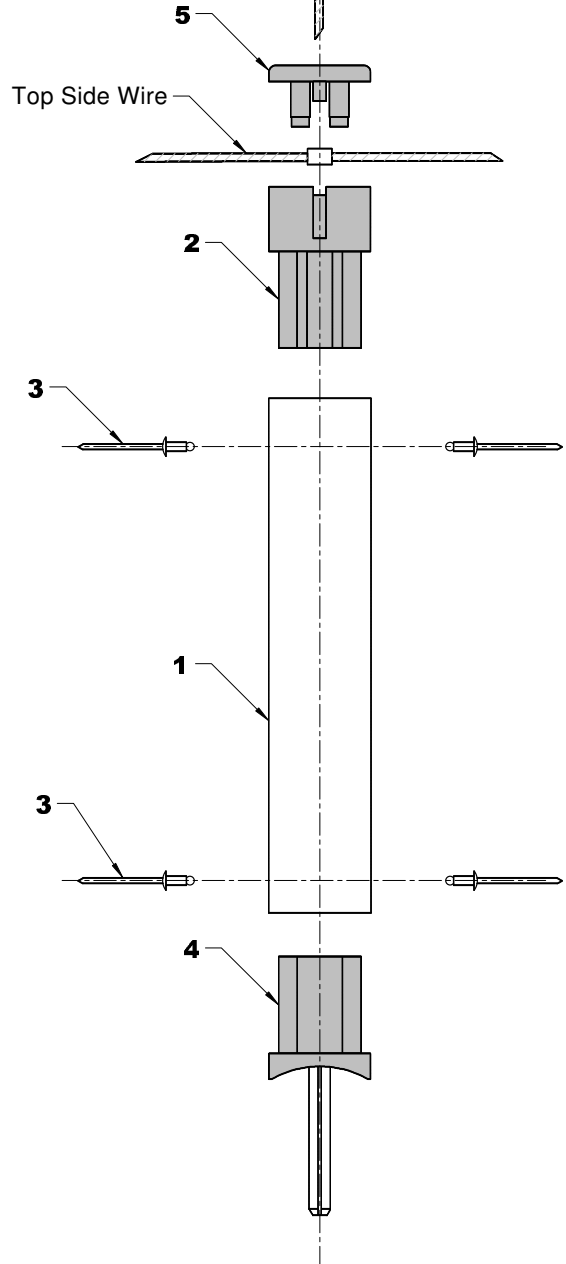
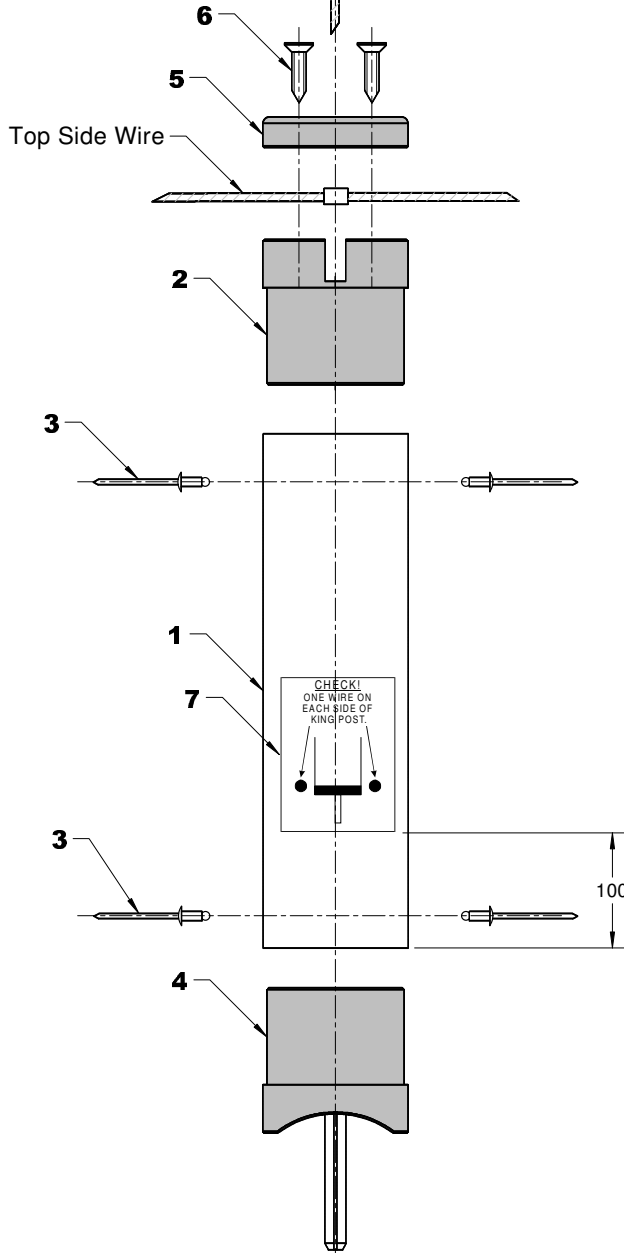
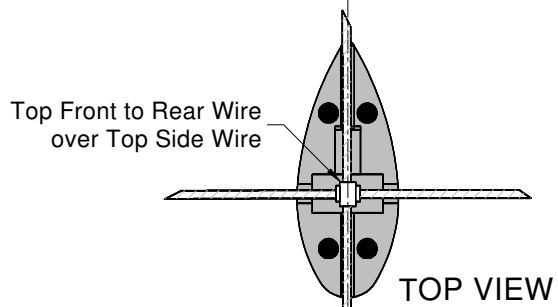
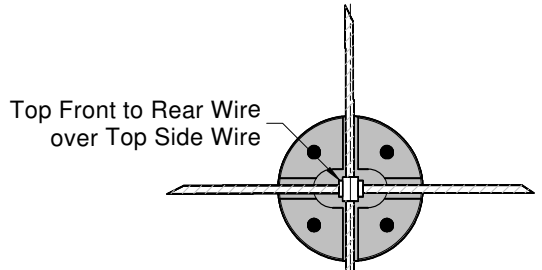
A4-4623

Wizard Cross Bar Leading Edge Assembly

Wizard Cross Bar Leading Edge Assembly								
Dwg No A4-4623 07/09/2004								
Id	Part No	Details	STIIFRAME	STKAIRFRA	WIZARDSK	WIZIIFRAME	WZIIIFR	WIZARD
1	103088	X/BAR WIZARD I, II, III	1.000		1.000	1.000	1.000	1.000
	103699	X/BAR STREAK		1.000				
2	103085	L/EDGE FRONT WIZARD	1.000		1.000	1.000	1.000	1.000
	103601	L/EDGE FRONT STREAK 123,CRUZE		1.000				
3	102006	X/BAR MOUNT CHANNEL	2.000	2.000	2.000	2.000	2.000	2.000
4	100080	SADDLE 60MM TUBE	6.000	6.000	6.000	6.000	6.000	6.000
5	103259	SIDE BOTT WIRE FWD WIZZ 2475			2.000			2.000
	103791	SIDE BOTT WIRE FWD STRK I&II	2.000	2.000				
	103889	SIDE BOTT WIRE FWD WIZZ II&III 247				2.000	2.000	
6	103260	SIDE BOTT WIRE AFT WIZZ 2485			2.000			2.000
	103792	SIDE BOTT WIRE AFT STRK I&II	2.000	2.000				
	103890	SIDE BOTT WIRE AFT WIZZ II&III 2485				2.000	2.000	
7	103156	TOP WIRE SET WIZARD			1.000			1.000
	103789	TOP SIDE WIRE SET STREAK I & II	1.000	1.000				
	103790	TOP SIDE WIRE SET WIZARD II&III				1.000	1.000	
8	100026	BOLT AN5-36A	2.000				2.000	
	100028	BOLT AN5-40A		2.000	2.000	2.000		2.000
9	100819	BOLT AN5-21A	2.000	2.000	2.000	2.000	2.000	2.000
10	101361	CAP CHAIR LEG 19MM PLASTIC		2.000	2.000	2.000		2.000
11	100036	NUT NYLOC AN5 FULL		2.000	2.000	2.000		2.000
	100037	NUT NYLOC AN5 HALF	2.000				2.000	
12	100714	WASHER SS 5/16 X 1IN X 16G	2.000	2.000	2.000	2.000	2.000	2.000
13	100820	WASHER NYLON M 8 XOD	6.000	6.000	6.000	6.000	6.000	6.000
14	100012	BOLT AN4-32A	4.000	4.000	4.000	4.000	4.000	4.000
15	100042	WASHER AN4	4.000	4.000	4.000	4.000	4.000	4.000
16	100034	NUT NYLOC AN4 FULL	4.000	4.000	4.000	4.000	4.000	4.000
18	103289	VELCRO 50MM LOOP/BLACK ADHESIVE	0.240	0.240	0.240	0.240	0.240	0.240
20	100595	WASHER NYLON M 8 STD	2.000	2.000	2.000	2.000	2.000	2.000

© AirBorne WindSports Pty Ltd. 2004

ALL PARTS ASSEMBLED TO MAKE AIRFRAME



ROUND KINGPOST
REAR VIEW

FAIRED KINGPOST

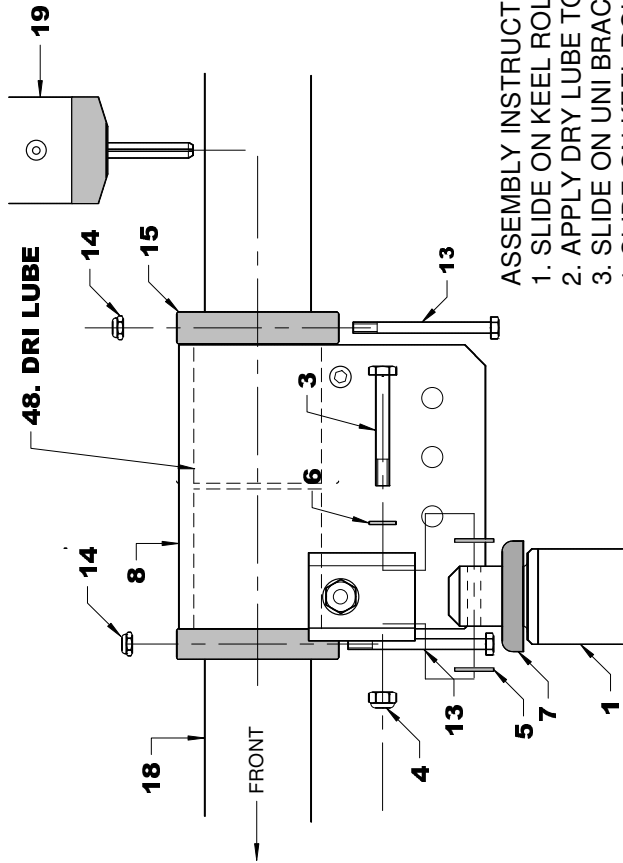
REV	AMENDMENTS	DATE	DRAWN BY	SCALE	DATE
1	ADD WIZARD II	16/05/00	Peter H.	HALF SIZE	25/05/99
2	ADD KING POST PLACARD	27/09/01			
				AIRBORNE WINDSPORTS <small>PTY LTD</small>	
				TRIKE WING KING POST ASEMMLY TYPE 2	
				A4-4752	

© AirBorne WindSports Pty Ltd 2004

Trike Wing K/Post Assembly Type 2

Trike Wing K/Post Assembly Type 2					
Dwg No A4-4752 07/09/2004					
Id	Part No	Details	KPOSTASSM	WIZARDII	WZIII
1	103862	K/POST WIZARD 2,3 STREAK 1,2 1150MM	1.000		
2	103825	K/POST TOP PLUG TRIKE WING	1.000		
3	102795	POP RIVET SS 5/32 SHORT (5-2)	4.000		
4	103826	K/POST BASE FITTING ROUND TRIKE	1.000		
5	103827	K/POST TOP CAP ROUND TRIKE		1.000	1.000
6	100912	SCREW PHILIPS CSK 10GX 3/4IN 304		4.000	4.000
7	104622	PLACARD KING POST WIRE CHECK		1.000	1.000

© AirBorne WindSports Pty Ltd. 2004

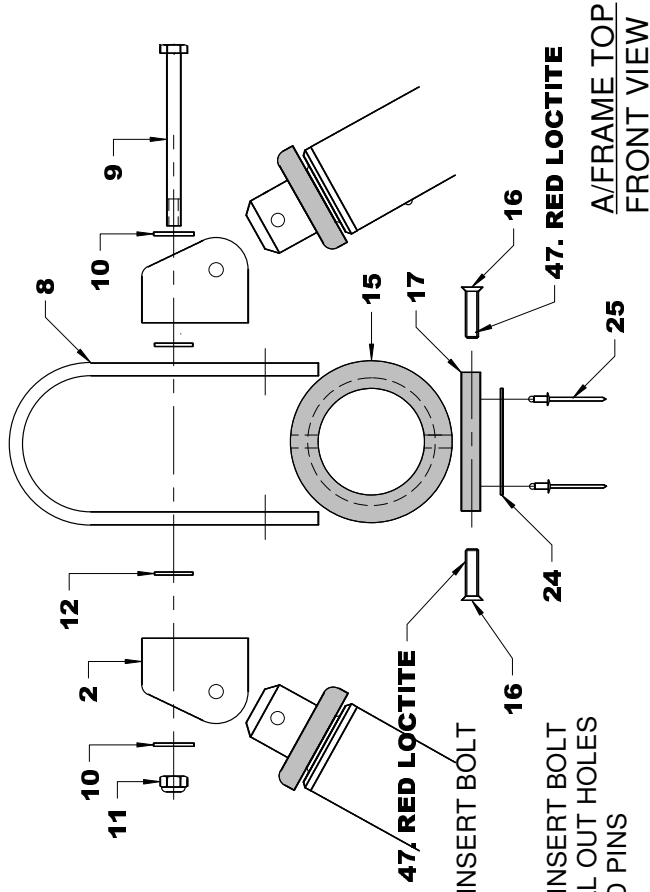


ASSEMBLY INSTRUCTIONS

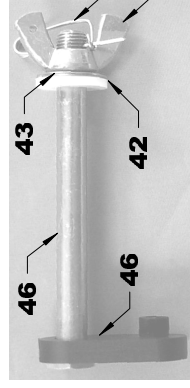
1. SLIDE ON KEEL ROLLER AND INSERT BOLT
2. APPLY DRY LUBE TO KEEL
3. SLIDE ON UNI BRACKET
4. SLIDE ON KEEL ROLLER AND INSERT BOLT
5. INSERT KEEL BUNG AND DRILL OUT HOLES
6. INSERT KEEL EXTENSION AND PINS

A/FRAME TOP

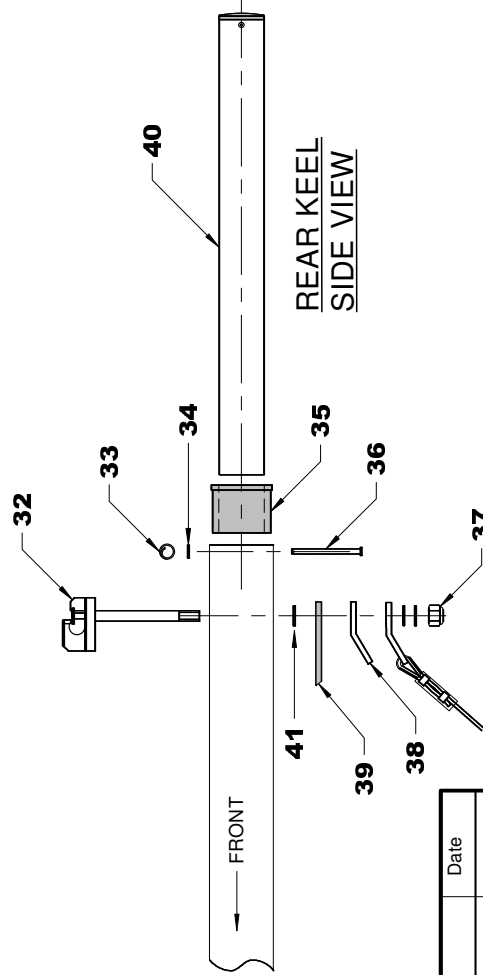
L.H. SIDE VIEW



A/FRAME TOP
FRONT VIEW



BOLT AND HEAD
RETAINER ASSEMBLY



REAR KEEL
SIDE VIEW

Rev	AMENDMENTS	Date
1	ADD WII, BOLT HEAD RETAINER	03/12/02
2	ADDED DRI LUBE AND LOCTITE, AND INSTRUCTIONS, DCR 2002	06-08-04

Drawn By	Scale	Date
Mollo	1:3.0	25/05/99

ALL DIMENSIONS IN MILLIMETRES

AIRBORNE WINDSPORTS PTY LTD	A4-4759
WIZARD II & iii A/FRAME TOP & REAR KEEL ASSEMBLY	

WIZARD II A/Frame Top and Rear Keel Assembly

WIZARD II A/Frame Top and Rear Keel Assembly						
Dwg No A4-4759 07/09/2004						
Id	Part No	Details	WIZARDII	WIZIIFRAME	WZIII	WZIIIFR
1	103209	D/TUBE TUBE TRIKE SILVER WITH KNUCK	1.000		1.000	
2	103267	A FRAME AL TOP BRACKET TRIKE WING		2.000		2.000
3	100006	BOLT AN4-20A		2.000		2.000
4	100034	NUT NYLOC AN4 FULL		2.000		2.000
5	101055	WASHER NYLON M 6 XOD		4.000		4.000
6	100042	WASHER AN4		2.000		2.000
7	104318	DOWN TUBE PROTECTOR TW	2.000		2.000	
8	103799	UNIVERSAL U-BRACKET WIDE		1.000		1.000
9	100028	BOLT AN5-40A		1.000		1.000
10	100714	WASHER SS 5/16 X 1IN X 16G		2.000		2.000
11	100036	NUT NYLOC AN5 FULL		1.000		1.000
12	100624	WASHER MYLAR		2.000		2.000
13	100012	BOLT AN4-32A		2.000		2.000
14	100035	NUT NYLOC AN4 HALF		2.000		2.000
15	103822	KEEL ROLLER TWO PIECE(HALF		2.000		2.000
16	102062	SKT CSK SCREW UNF 1/4IN X1IN		2.000		2.000
17	104607	U BRACKET NEG LOAD PLATE 120 ALUMIN		1.000		1.000
18	103828	KEEL TUBE ASSEM FRONT WIZARD II		1.000		1.000
19	103887	K/POST ASSEMBLY TRIKE WING ROUND T2	1.000		1.000	
24	102358	SERIAL NO PLATE TRIKE WING	1.000		1.000	
25	100162	POP RIVET 1/8	2.000		2.000	
32	104712	QUICK CLIP ASM AN5-31A	1.000		1.000	
33	100950	SPLIT RING 12MM RF114		1.000		1.000
34	100055	WASHER SS 3/16 X 7/16" 304 FLAT		1.000		1.000
35	103864	KEEL BUNG WIZARDII & STREAK		1.000		1.000
36	102796	CLEVIS PIN 3/16"X2 13/32"		1.000		1.000
37	100915	NUT M 8 NYLOC		1.000		1.000
38	103212	REAR FLYING WIRE WIZARD/STREAK	1.000		1.000	
39	104079	SAIL WIZARD II	1.000		1.000	
40	103603	KEEL EXTENSION STREAK WIZARD 2,3		1.000		1.000
41	100043	WASHER AN5	1.000		1.000	
42	100619	WASHER NYLON M10 STD			1.000	
43	103458	WASHER SS M10 X21MM			1.000	
44	100920	SAFETY PIN			1.000	
45	101065	WINGNUT AN6			1.000	
46	100032	BOLT AN6-36			1.000	
47	103723	LOCTITE 262 RED HIGH STRENGTH	0.002	0.002	0.002	0.002
48	106432	DRI LUBE SOLID LUBRICANT	0.010	0.010	0.010	0.010

© AirBorne WindSports Pty Ltd. 2004

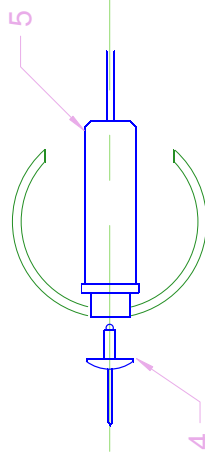
REAR ASSEMBLY

- 1/ INSERT LEADING EDGE TENSIONER ASSEMBLY TO APPROPRIATE L/EDGE
- 2/ ATTACH ADJUSTER DOWL USING 2 X M6 BUTTON HEAD SCREWS USING BLUE LOCKTITE
- 3/ INSERT WASHOUT ROD ASSEMBLY AND USE FLANGED RIVET TO SECURE.

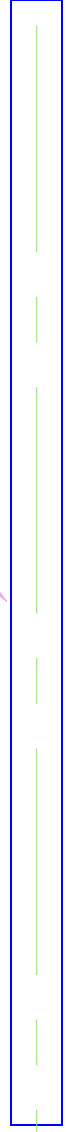


6

2 - LEADING
EDGE REAR



3



8 - BUNGIE (SEE CUT LENGTH ON MAT LIST)



6



WASHOUT ROD ASSEMBLY

- 1/ TIE BUNGIE TO FITTING USING BOWLINE
- 2/ ROUTE THROUGH TUBE AND END CAP
- 3/ TIE DOUBLE OVER HAND KNOT
- 4/ USE HOT KNIFE TO CUT EXCESS BUNGIE

Rev	AMENDMENTS	Date
1	Removed Sreak From Parts list (New Drawing 5378)	17/02/03

AIRBORNE WINDSPORTS PTY LTD	
REAR LEADING EDGE ASSEMBLY TRIKE WING	A4-5228
ADJUSTABLE TENSION	

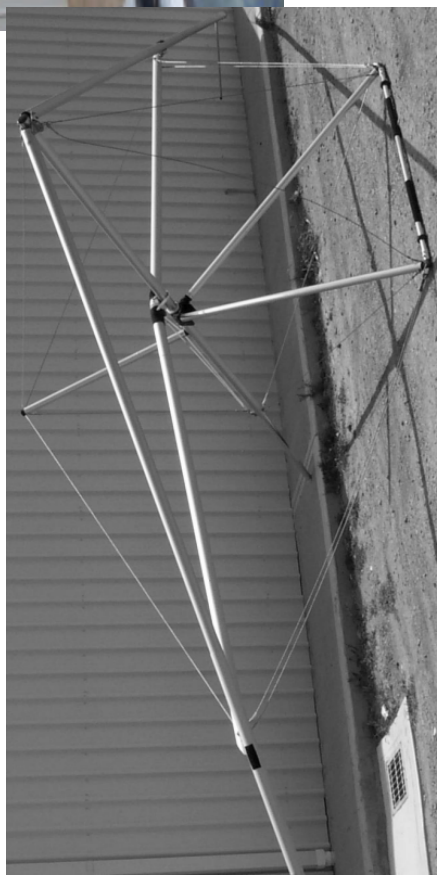
ALL DIMENSIONS IN MILLIMETRES

Drawn By	Scale	Date
Rick	NTS	31/05/02

Leading Edge Rear Assembly Trike Wing Adjustable

Leading Edge Rear Assembly Trike Wing Adjustable				
Dwg No A4-5228 15/02/2005				
Id	Part No	Details	WZLHS	WZRHS
1	104669	TRIKE WING L/EDGE TENSIONER LHS	1.000	
	104740	TRIKE WING L/EDGE TENSIONER RHS		1.000
2	104100	L/EDGE REAR WIZARD II & III RHS		1.000
	104101	L/EDGE REAR WIZARD II & III LHS	1.000	
3	104722	DIVE STICK 7075-T6 690MM	1.000	1.000
4	104724	POP RIVET 3/16X10MM FLANGED	1.000	1.000
5	104720	DIVE STICK MOUNT TYPE 3	1.000	1.000
6	104668	CAP CHAIR LEG 16MM 21/64IN HOLE	1.000	1.000
7	106172	SKT BUTTON SCREW M5 X 10	2.000	2.000
8	100310	SHOCK CORD 4MM	0.750	0.750

ID	DESCRIPTION	DWG	P/NO	REQD
1	NOSE JUNCTION ASSEMBLY	A4-4622		
2	A-FRAME CORNER ASSEMBLY	A3-2310		
3	X-BAR/PULL BACK ASSEMBLY	A4-5333		
4	X-BAR/LE JUNCTION ASSEMBLY	A4-4623		
5	REAR L/E ASSEMBLY	A4-5228		
6	TRAINING BAR ASSEMBLY	A4-4634		
7	KING POST ASSEMBLY	A4-4752		
8	FRAME TOP/REAR KEEL ASSEMBLY	A4-4759		
9	WING TIP ADJUSTER ASSEMBLY	A4-5172		



2
6
8
not shown

AIRBORNE WINDSPORTS PTY LTD
WIZARD III SAIL TO AIRFRAME ASSEM
A4-5323

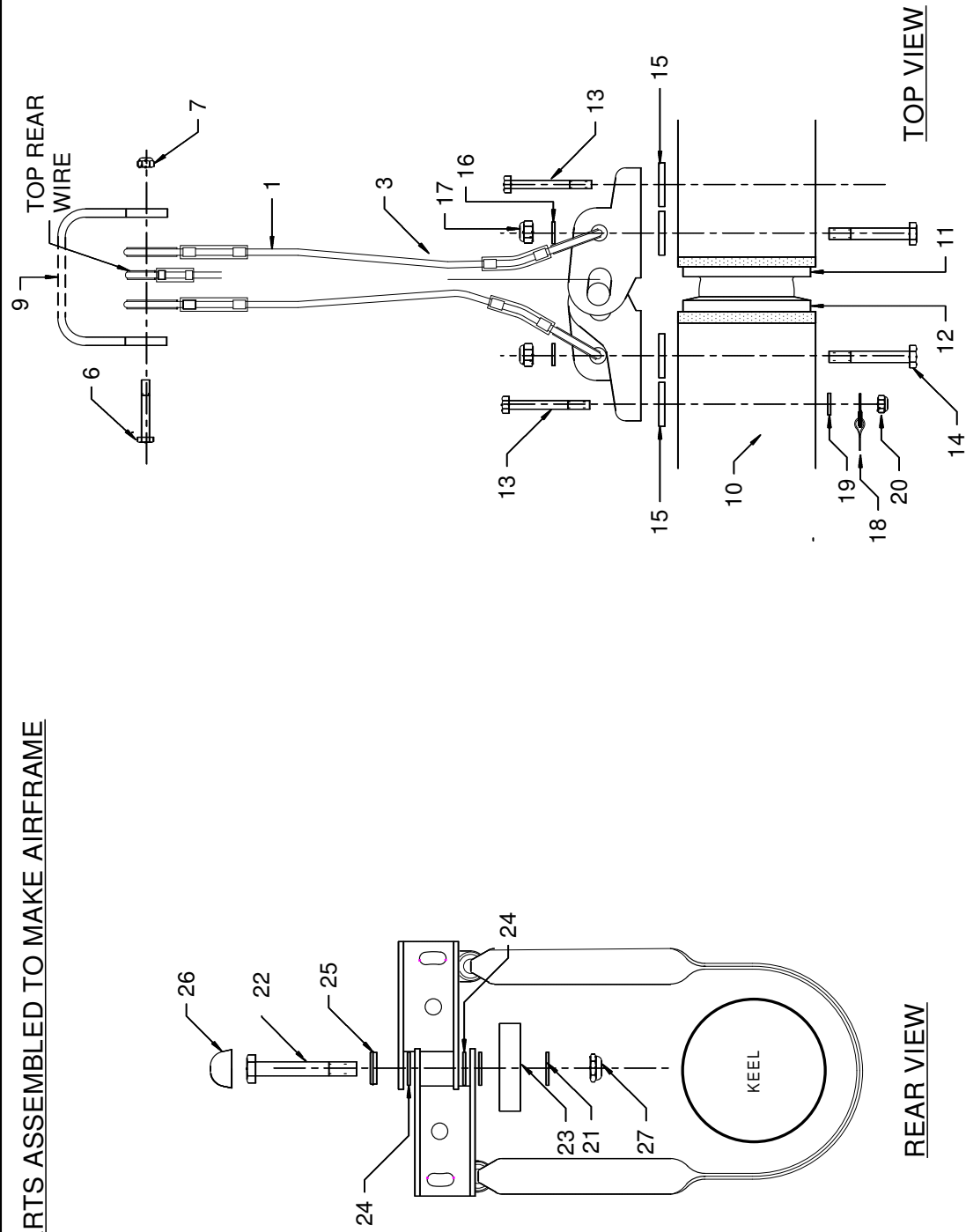
ALL DIMENSIONS IN MILLIMETRES UNLESS STATED OTHERWISE
 Drawn By: **Cris** Scale: **NTS** Date: **18/12/2002**

Wizard III - Sail / Airframe Assembly

Wizard III - Sail / Airframe Assembly			
Dwg No A4-5323 07/09/2004			
Id	Part No	Details	WZIII
0	101506	HAT AIRBORNE INCL GLIDER LOGO	1.000
1	104745	SAIL WIZARD III	1.000
2	106514	MYLAR L/E INSERT WIZARD 3	2.000
3	105003	BATTEN WIZARD III SET	1.000
4	104729	WIZARD III AIRFRAME	1.000
5	104741	L/EDGE REAR WIZARD III LHS ASSEMBLY	1.000
6	104742	L/EDGE REAR WIZARD III RHS ASSEMBLY	1.000
8	101672	COVER FOLDING BAR KNUCKLE	1.000
9	102431	COVER TIP TRIKE WING	2.000
10	102432	COVER END POUCH TRIKE WING	1.000
13	103413	COVER KEEL QUICK CLIP 50MM/60MM	1.000
14	102437	COVER U-BRAKET EDGE	1.000
15	102730	COVER X/BAR SMALL	2.000
16	106180	BATTEN BAG LONG 2650	1.000
17	102439	GLIDER BAG EDGE/ WIZARD	1.000
18	102580	FLIGHT MANUAL EDGE	1.000
19	100406	SHACKLE RF615 4MM	4.000
20	105038	REFLEX BRIDLE 2X2 WIZARD III	1.000
21	101673	COVER FOLDING BAR CENTRE	1.000
22	103136	BATTEN PROFILE WIZARD 2/3	1.000
23	100139	GLIDER TIE	4.000

© AirBorne WindSports Pty Ltd. 2004

ALL PARTS ASSEMBLED TO MAKE AIRFRAME



Rev	AMENDMENTS	Date

ALL DIMENSIONS IN MILLIMETRES

Drawn By	Scale	Date
Rick	1:2.5	17/12/02

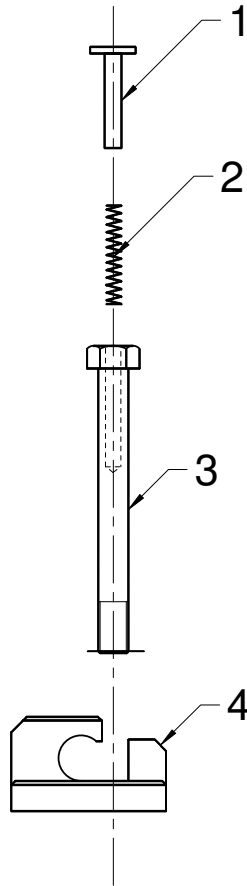
AIRBORNE WINDSPORTS PTY LTD	WIZARD III
	X/BAR HINGE/ PULLBACK ASSEMBLY
A4-5333	

Wizard III Cross Bar Hinge / Pull Back As

Wizard III Cross Bar Hinge / Pull Back As			
Dwg No A4-5333 07/09/2004			
Id	Part No	Details	WZIIIFR
1	103504	PULL BACK WIRE 1195 WIZARD II	2.000
6	100003	BOLT AN4-11A	1.000
7	100035	NUT NYLOC AN4 HALF	1.000
9	102021	SHACKLE RF623 1/4IN PULL BACK	1.000
10	103088	X/BAR WIZARD I, II, III	2.000
11	102449	X/BAR BALL SKT TYPE 2 (WILLS WING)	1.000
12	102409	X/BAR BALL TYPE 2 (WILLS WING)	1.000
13	100629	BOLT AN3-30A	2.000
14	100011	BOLT AN4-30A	2.000
15	102424	WASHER NYLON 1/4" OBA THICK	4.000
16	100042	WASHER AN4	2.000
17	100034	NUT NYLOC AN4 FULL	2.000
18	103286	X/BAR STRAP TANG 280	1.000
19	100049	WASHER AN3	2.000
20	100051	NUT NYLOC AN3 FULL	2.000
21	100043	WASHER AN5	1.000
22	100015	BOLT AN5-15A	1.000
23	100804	X/BAR BOLT COVER - NO SLOT	1.000
24	100595	WASHER NYLON M 8 STD	3.000
25	100604	CAP WASHER BASE CLIP M8	1.000
26	100603	CAP WASHER COVER BLACK M8	1.000
27	100037	NUT NYLOC AN5 HALF	1.000

© AirBorne WindSports Pty Ltd. 2004

PART NAME	PART NO	USE BOLT	PRT NO	
QUICK CLIP ASSEMBLY 60MM	106151	QUICK CLIP BOLT 60MM	103273	
QUICK CLIP ASSEMBLY 65MM	103278	QUICK CLIP BOLT 65MM	103274	
QUICK CLIP ASSEMBLY 75MM	106152	QUICK CLIP BOLT 75MM	103275	
QUICK CLIP ASSEMBLY 80MM	104045	QUICK CLIP BOLT 80MM	104044	
QUICK CLIP ASSEMBLY 85MM	101740	QUICK CLIP BOLT 85MM	103276	
QUICK CLIP ASSEMBLY AN5-22	A104709	QUICK CLIP BOLT AN5-26	A102024	
QUICK CLIP ASSEMBLY AN5-26	A104710	QUICK CLIP BOLT AN5-26	A104707	
QUICK CLIP ASSEMBLY AN5-30	A104711	QUICK CLIP BOLT AN5-30	A104708	
QUICK CLIP ASSEMBLY AN5-31	A104712	QUICK CLIP BOLT AN5-30	A102025	
QUICK CLIP ASSEMBLY AN5-34	A104714	QUICK CLIP BOLT AN5-34	A101734	
ID	DESCRIPTION	DWG NO	PART NO	REQD
1	Q/C BOLT PIN (AL)	A4-7043	103277	1
2	Q/C BOLT SPRING (157A)		101203	1
3	Q/C BOLT	A4-7043	SEE LIST	1
4	Q/C BLOCK (SS)	A4-7002	106153	1



Rev	AMENDMENTS	Date	Drawn by	Scale	Date
1	BOLT FOR 57MM L/EDGE ADDED	11-10-93	JADY	HALF SIZE	13-2-91
2	TYPE 2 ASSEMBLIES ADDED	02-11-97			
3	ADDED 80MM ASSEMBLY	10-04-00			
4	ADDED AN ASSEMBLIES	14-05-02			
			AIRBORNE WINDSPORTS		PTY LTD
			QUICK CLIP BLOCK ASSEMBLY		A4-7048

MAIN SAIL BATTENS												
Nose	1	2	3	4	5	6	7	8	9	10	11	Strutt
103301	103302	103303	103304	103305	103306	103307						105024
One Only	103309	103310	103311	103312	103313	103314						105023

UNDERSURFACE BATTENS						
	1	2	3	4	5	6

MAIN SAIL BATTENS												
Nose	1	2	3	4	5	6	7	8	9	10	11	Strutt
103301	103302	103303	103304	103305	103306	103307						105024
One Only	103309	103310	103311	103312	103313	103314						105023

UNDERSURFACE BATTENS						
	1	2	3	4	5	6

MAIN SAIL BATTENS												
Nose	1	2	3	4	5	6	7	8	9	10	11	Strutt
103301	103302	103303	103304	103305	103306	103307						105024
One Only	103309	103310	103311	103312	103313	103314						105023

UNDERSURFACE BATTENS						
	1	2	3	4	5	6

MAIN SAIL BATTENS												
Nose	1	2	3	4	5	6	7	8	9	10	11	Strutt
105010	105012	105014	105016	105018	105020	105022						105024
105009	105011	105013	105015	105017	105019	105021						105023

UNDERSURFACE BATTENS						
	1	2	3	4	5	6

MAIN SAIL BATTENS												
Nose	1	2	3	4	5	6	7	8	9	10	11	Strutt
105010	106892	106893	106894	106895	106896	106897						105024
105009	106898	106899	106900	106901	106902	106903						105023

UNDERSURFACE BATTENS						
	1	2	3	4	5	6

THIS DRAWING IS AN EXCEL WORKSHEET

REV	AMENDMENTS	Date
1		
2		
3		
4		

Drawn By	Scale	Date	Py Ltd
RICK	N/A	20/05	A4-6712
AIRBORNE WINDSPORTS			TRIKE WING BATTEN
INTERCHANGE (PAGE 2)			

	Wizard 1		Wizard SK		Wizard II		Wizard III	
	LHS	RHS	LHS	RHS	LHS	RHS	LHS	RHS
MAIN FRAME								
Front Leading Edge	103085	103085	103085	103085	103085	103085	103085	103085
Rear Leading Edge	103087	103086	103087	103086	104101	104100	104101	104100
Leading Edge Tensioners	NA		NA		104003		104669	104740
Cross Bar	103088	103088	103088	103088	103088	103088	103088	103088
Keel Tube	102960		103600		103828		105043	
Keel Extension	NA		103603		103603		103603	
Washout Rods	101870	101870	101870	101870	101870	101870	104722	104722
Washout Rod Mounts	102625	102625	102625	102625	102625	102625	104720	104720
CONTROL FRAME								
Down Tubes (Inc Knuckle)	103209	103209	103209	103209	103209	103209	103209	103209
Base Bar	103207		103207		103207		103207	
King Post	103264		103862		103862		103862	
WIRES - FLYING								
Front	103261	103261	103261	103261	104040	104040	104040	104040
Rear	103212	103212	103212	103212	103212	103212	103212	103212
Forward Side	103259	103259	103259	103259	103889	103889	103889	103889
Aft Side	103260	103260	103260	103260	103890	103890	103890	103890
Pull Back	103272	103272	103504	103504	103504	103504	103504	103504
WIRES - NEGATIVE								
Top Side	NA		NA		103790		103790	
Top Front	NA		NA		103788		103788	
Top Front/Side Set	103156		103787		NA		NA	
Reflex Bridles	103211		103211		103211		105038	
BATTENS								
(See A4-6712 for Details)	Bungie		Bungie		Bungie		Spring / Hinge	
WZIII Hinge Battens from #830								
SAIL								
Sail	102962		104079		104079		104745	

MODIFICATION HISTORY

- WIZARD SK** Introduced for US trike wing market. Allowed removable keel extension.
 Shorter keel pocket allowing pull back wires over top of sail
 Drop in King Post
- WIZARD II** Introduced so that same wing (Short Keel) was suitable for Australian and Export Market
 Shorter keel pocket allowing pull back wires over top of sail
 Drop in King Post
 Shorter Rear Leading Edges to accommodate Leading Edge Tensioners (Shim Type)
 Re-designed Kpost top to allow separate top wires
- WIZARD III** Adjustable Leading Edge Tensioners (Allen Key)
 Sail rear webbing (Dual) to suit Tensioners
 Spring Battens, Hinge Battens from WZ#-830
 Neoprene on XBar holes

THIS DRAWING IS AN EXCEL WORKSHEET

Rev	Amendments	Date

AIRBORNE WINDSPORTS			Pty Ltd
Drawn	Scale	Date	TRIKE WING FRAME
RD	N/A	2/02/05	INTERCHANGE WIZARD SERIE 6713